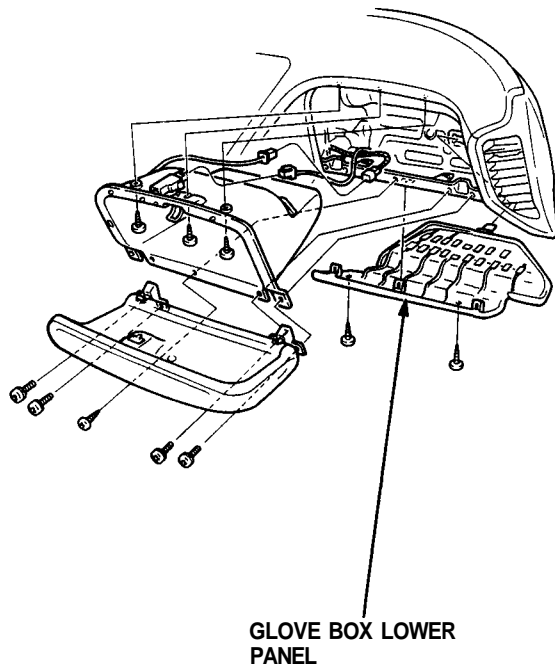


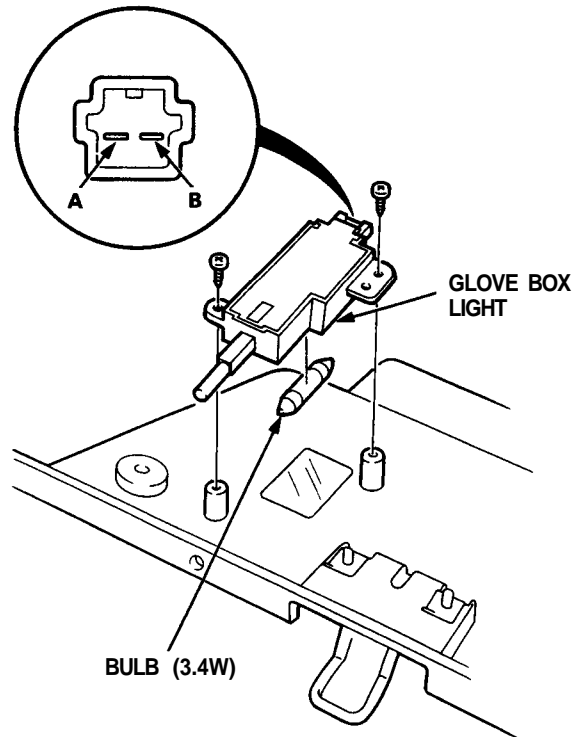
Glove Box Light

Replacement/Test

1. Remove the glove box lower panel.
2. Remove the 8 screws then pull out the glove box.
3. Disconnect the 2-P connectors then remove the glove box.



4. Remove the 2 screws from the glove box light.



5. There should be continuity between the A terminal and B terminal with a bulb installed. There should be no continuity when the switch is pushed.

