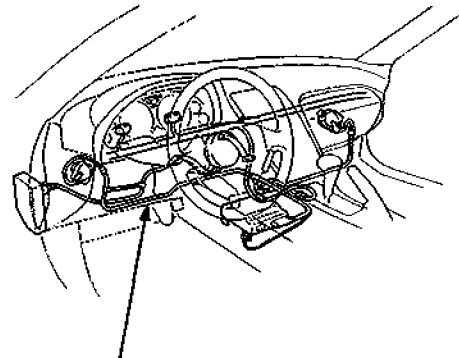


Shift Lever Position Indicator

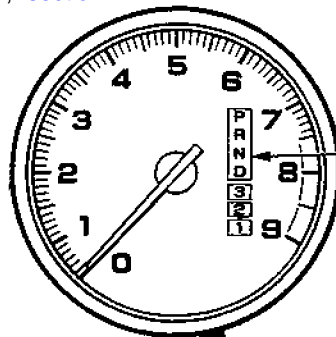
Component Location Index

CAUTION:

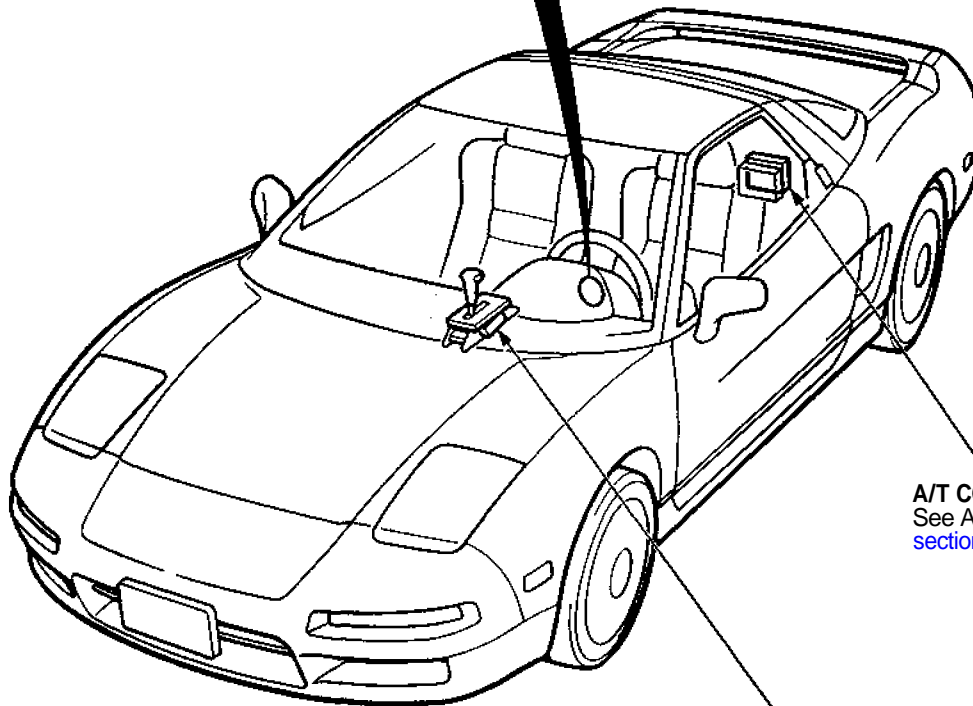
- All SRS electrical wiring harnesses are covered with yellow outer insulation.
- Before disconnecting the SRS wire harness, install the short connector on the airbag (see page [STET](#))
- Replace the entire affected SRS harness assembly if it has an open circuit or damaged wiring.
- After installation of the gauge assembly, recheck the operation of the SRS indicator light.
- **GAUGE ASSEMBLY**
Removal, page [23-126](#)
Disassembly, pages [23-129](#)
- **INTERLOCK SYSTEM**
See page, [23-140](#)
- **A/T CONTROL SYSTEM**
See Automatic Transmission, [section 14](#)



SRS MAIN WIRE HARNESS



SHIFT LEVER POSITION INDICATOR
Input Test, page [23-158](#)



A/T CONTROL UNIT
See Automatic Transmission [section 14](#)

SHIFT POSITION CONSOLE SWITCH
Test, page [23-160](#)
Replacement, page [23-161](#)