

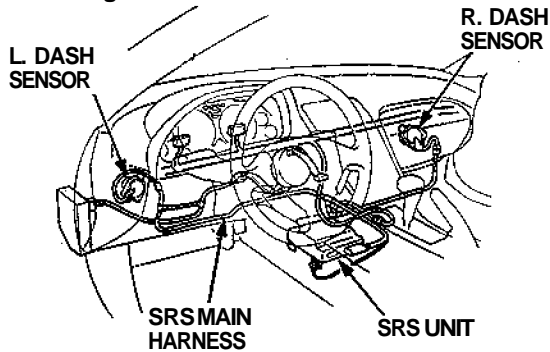


# Replacement

SRS wire harnesses are routed near the dashboard and steering column,

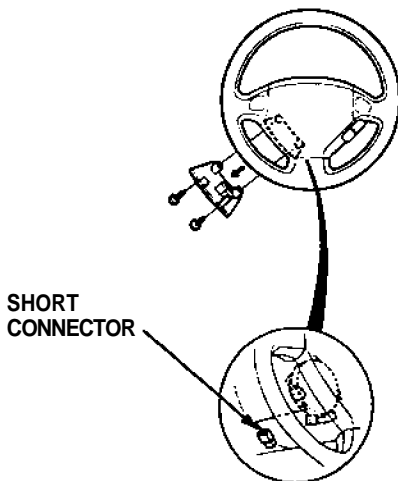
### CAUTION:

- AH SRS electrical wiring harnesses are covered with yellow outer insulation.
- Before disconnecting the SRS wire harness, install the short connector on the airbag (see page 23-232).
- Replace the entire effected SRS harness assembly if it has an open circuit or damaged wiring.



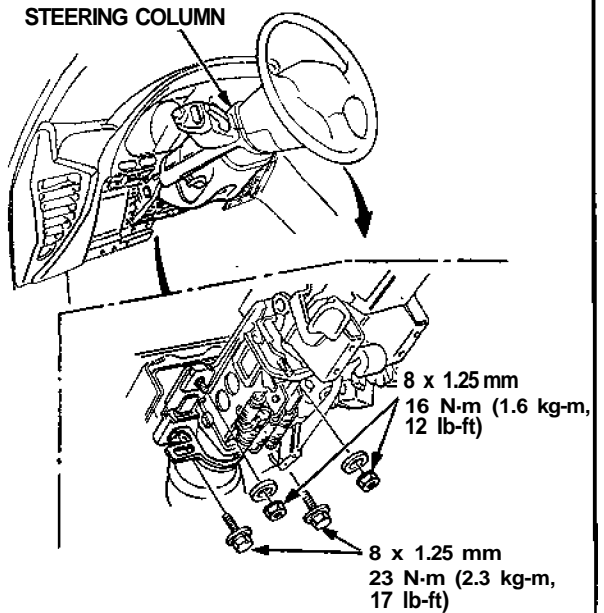
- To remove the dashboard, first remove the:
  - Seats (page 20-39)
  - Dashboard tower panel (driver's side)
  - Knee bolster and pad (page 20-44)
  - Dashboard stay (page 20-44)
  - Center armrest (page 20-43)
  - Clock, center air vent and console panel (page 20-43)
  - Heater control unit and stereo cassette/radio (page 20-43)
  - Dashboard lower panel (passenger's side)
  - Glove box lid and glove box (page 20-43)

**⚠ WARNING** To avoid accidental deployment and possible injury always install the protective short connector on the inflator connector when the harness is disconnected.

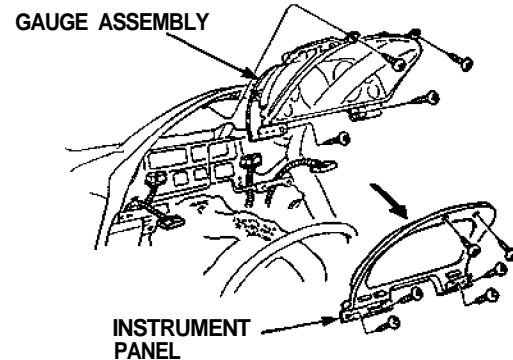


- Lower the steering column (see Section 17).

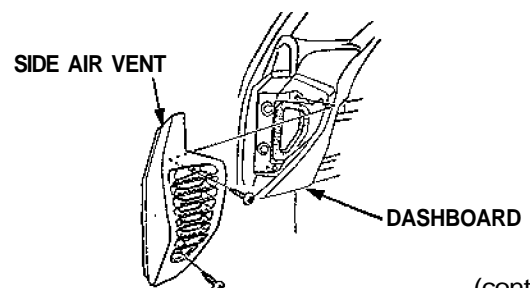
NOTE: To prevent damage to the steering column, wrap with a shop towel.



- Remove the instrument panel.
- Remove the gauge assembly.



- Remove the attaching screws, then remove the side air vents from each side of the dashboard.



(cont'd)

# Dashboard

## Replacement (cont'd)

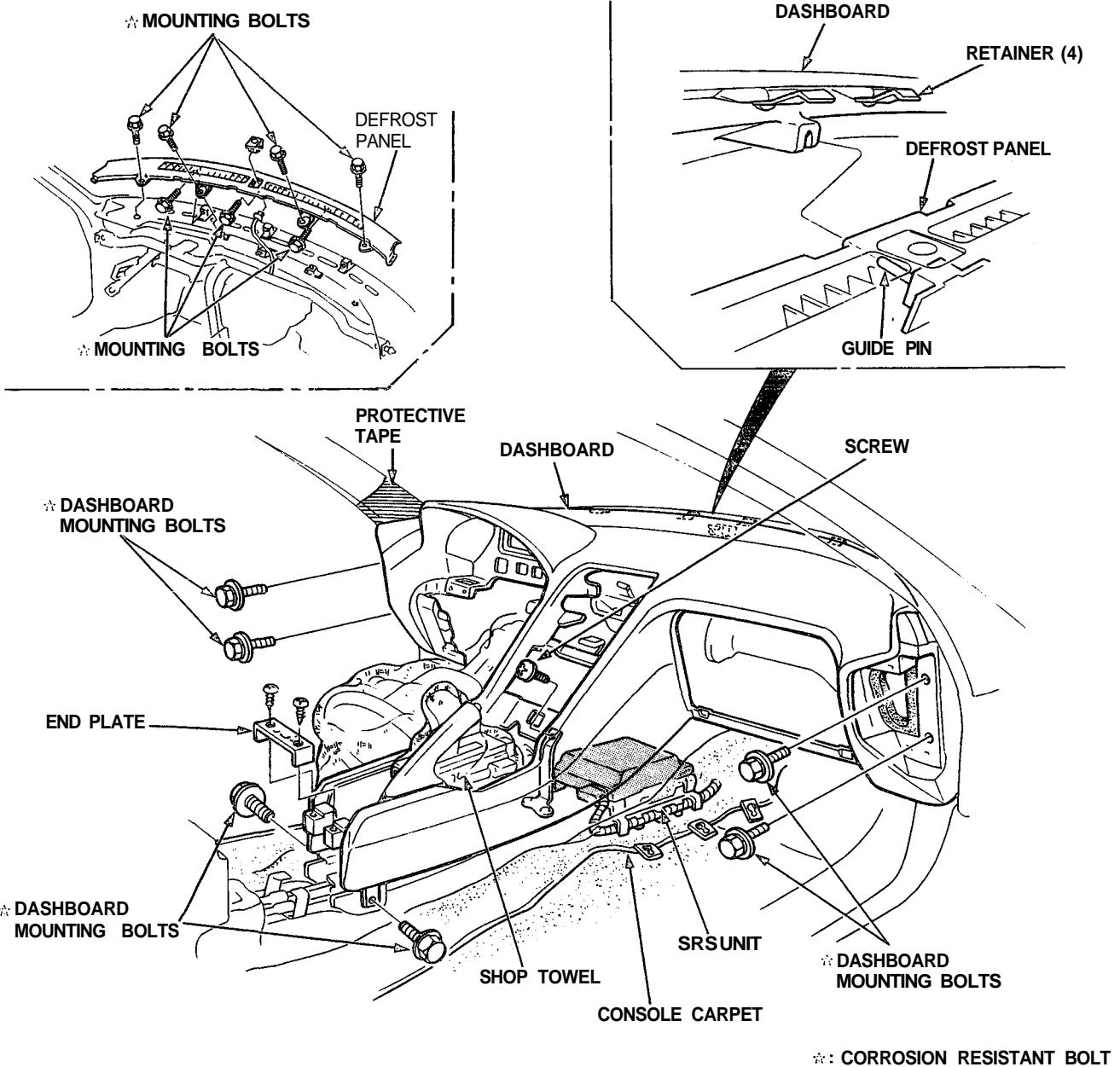
6. Remove the dashboard end plate and fold the console carpet down (page 20-42).
7. Remove the 6 mounting bolts and center screw, then lift and remove the dashboard.

**NOTE:**

Take care not to scratch the dashboard.

- Use protective tape on the bottom of the front pillar trim.
- To prevent damage to the change lever (M/T) or selector lever and indicator panel (A/T), wrap with a shop towel.
- When prying with a flat tip screwdriver, wrap it with protective tape or shop towel to prevent damage.

If necessary, remove the defrost panel.



8. Installation is the reverse of the removal procedure.

**NOTE:**

- Make sure the dashboard fits onto the guide pin and defrost panel correctly.
- Before tightening the dashboard bolts, make sure the dashboard wires are not pinched.