



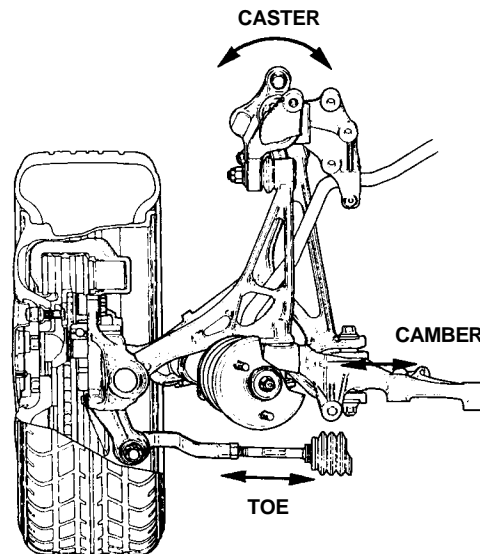
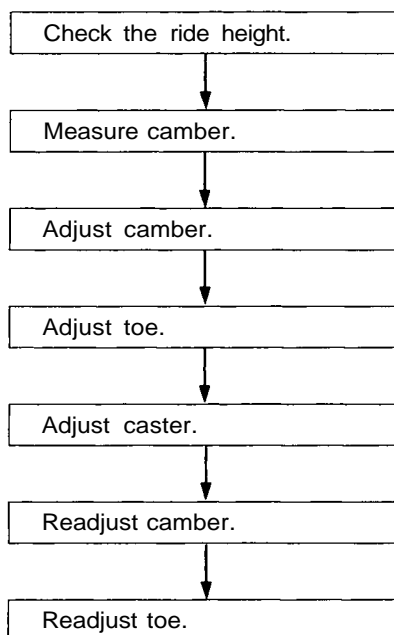
Front Wheel Alignment Adjusting Procedure

Adjustment

NOTE: NSX four wheel alignment requires the use of equipment designed specifically for four wheel independent suspensions and capable of immediate feedback.

The NSX suspension can be adjusted for camber, caster (front only), and toe. However, because each of them relates to the other, the camber changes when the toe is adjusted for example. Therefore, the total adjustment of the front/rear wheel alignment is required whenever one of the elements (camber, caster, or toe) is adjusted.

<Front wheel alignment adjusting procedure>



(cont'd)

Wheel Alignment

Front Wheel Alignment Adjustment Procedure (cont'd)

NOTE:

- NSX four wheel alignment requires the use of equipment designed specifically for four wheel independent suspensions and capable of immediate feedback.
- The ride height is very important for setting the alignment. For every 10 mm of change in the front ride height, the camber will change approximately 10 minutes.
- The front alignment settings on the NSX are interactive. A slight change in toe will dramatically change the camber.

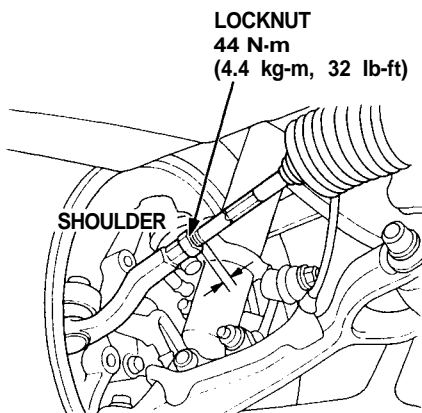
1. Drive the car on the alignment rack.
2. Check the tire pressure and ride height as described on page 18-6.
3. Center the steering wheel.

Toe

- 1. Measure the length of the threaded section on the right and left rack ends.

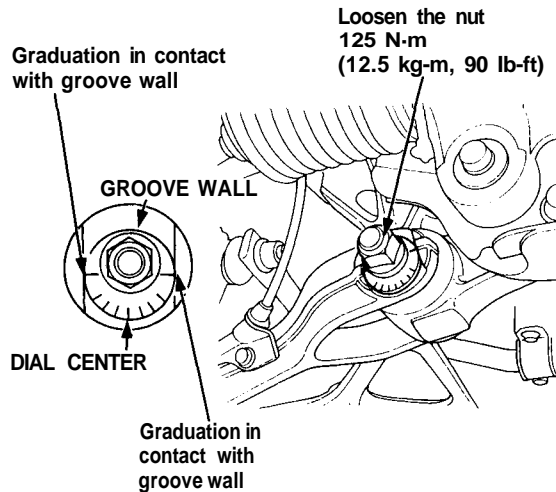
Standard: 11 mm for shoulder
Difference between right and left: 1 mm max.

- 2. If the measurement is out of the specification, loosen the locknut and adjust properly.



Camber

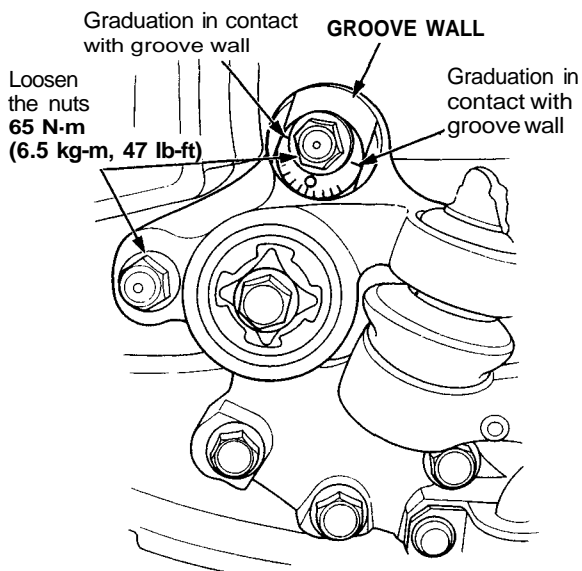
- 1. Loosen the locknut on the front lower control arm adjusting point and adjust the cam position so that the right and left graduations on the adjusting cam are in contact.
- 2. Mark the arm in the position which aligns with the dial center of the adjusting cam.





Caster

- Loosen the pivot adjuster mounting nuts under the compliance pivot and adjust the cam position so that the right and left graduations on the adjusting cam are in contact with the groove walls.



- Measure and record the readings for the camber and toe according to the alignment equipment manufacturer's instructions.

- Adjust the camber and toe at the same time on one side of the car. Repeat for the other side of the car.

NOTE:

- One graduation on the camber adjusting cam equals approximately 10 minutes of camber change.
- One full turn of the tie rod equals approximately 8 mm.

- Measure the caster according to the alignment equipment manufacturer's instructions.

- Adjust the caster.

NOTE: One graduation on the caster adjusting cam equals approximately 10 minutes of caster change.

- Measure the readings for camber and toe.

- Readjust the camber and toe to the specifications shown.

Front Specifications

Toe-out: 3.5 ± 1.0 mm

Camber: $-0^{\circ}20' \pm 30'$

Caster: $8^{\circ}00' \pm 45'$