



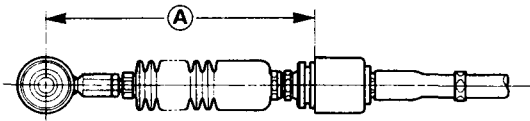
## Cable Adjustment

NOTE: See page 13-6, 13-47 for removal and installation.

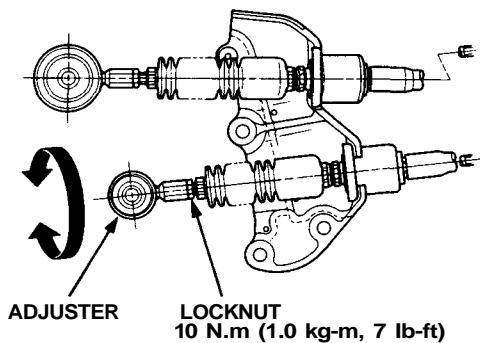
### Select Cable

1. With the transmission in neutral, measure the distance (A).

(A): 140.5-141.5 mm (5.53-5.57 in)



2. If distance (A) is out of spec, loosen the locknut and turn the adjuster as necessary.



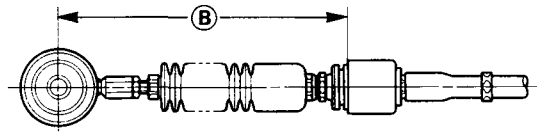
3. Tighten the locknut.

NOTE: After adjustment, check operation of the gearshift lever.

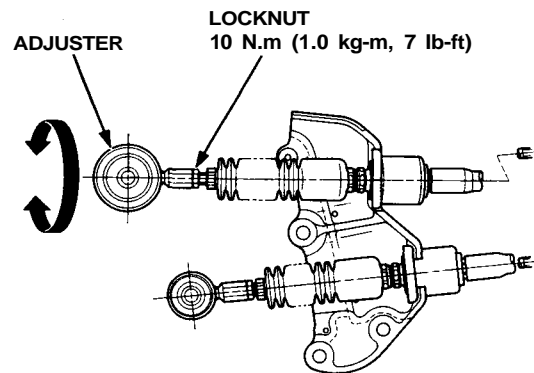
### Shift Cable

1. With the transmission in neutral, measure distance (B).

(B): 157.5-158.5 mm (6.20-6.24 in)



2. If distance (B) is out of spec, loosen the locknut and turn the adjuster as necessary.



3. Tighten the locknut.

NOTE: After adjustment, check operation of the gearshift lever.