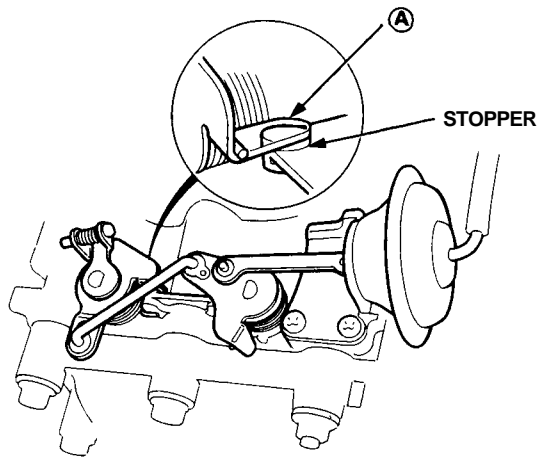


Air Intake System

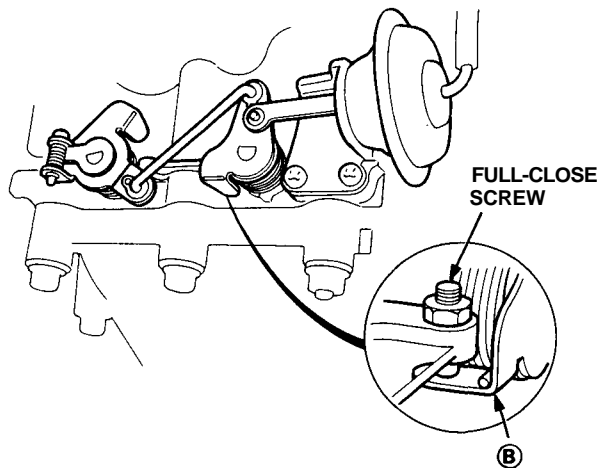
Chamber Volume Control Valve Test

CAUTION: Do not adjust the chamber volume control valve full-close screw. It was preset at the factory.

1. Check the chamber volume control valve shaft for binding or sticking.
2. Check the chamber volume control valve for smooth movement.
3. Check that A of the chamber volume control valve is in close contact with the stopper when the vacuum hose is disconnected from the diaphragm.



4. Check that B of the chamber volume control valve is in close contact with the full-close screw when you apply 1 5" of vacuum to the diaphragm.



- If any fault is found, clean the linkage and shafts with carburetor cleaner.
- If the problem still exists after cleaning, disassemble the intake manifold and check the chamber volume control valve (page [11-123](#)).