

# Fuel Supply System

## Fuel Pump Resistor

### Troubleshooting Flowchart

- Engine will not start.
- Inspection of fuel pump resistor.

Disconnect the fuel pump resistor connector.

Measure the voltage between BLK/YEL (+) (on harness side) and body ground (-) when the ignition switch is first turned ON.

Is there battery voltage?  
(for 2 seconds)

NO

Inspect the main relay (page 11-104)

YES

Turn the ignition switch OFF.

Install a jumper wire between two terminals on the wire harness side of fuel pump resistor.

Turn the ignition switch to START position.

Does the engine start?

YES

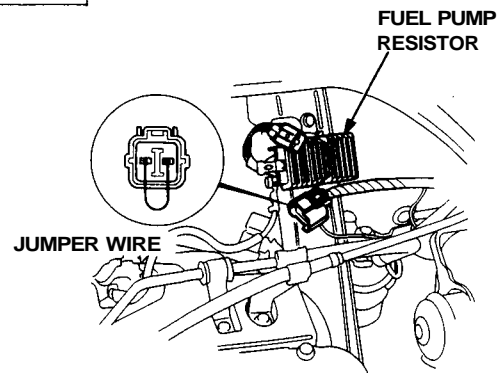
Replace fuel pump resistor.

NO

Turn the ignition switch OFF.

Disconnect the fuel pump connector.

(To page 11-107)





(From page 11-106)

Measure the voltage between BLK/RED (+) (on wire harness side of fuel pump) and body ground when the ignition switch is first turned ON.

Is there battery voltage?  
(for 2 seconds)

YES

Inspect the fuel pump  
(page 11-102)

NO

Repair open in BLK/RED wire between the fuel pump resistor and the fuel pump.

