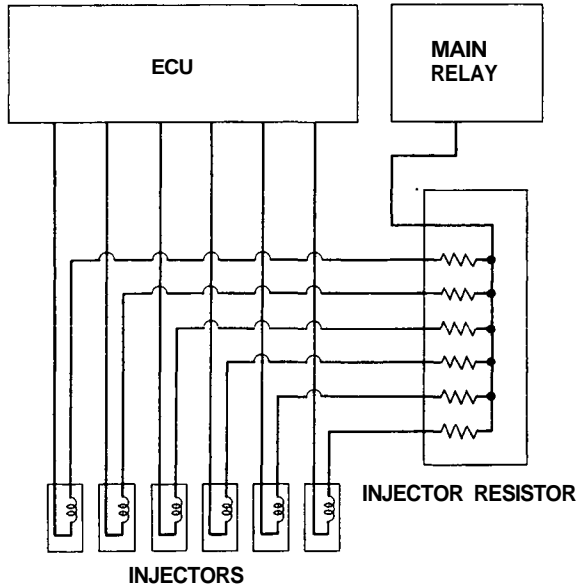


Fuel Supply System

Injector Resistor

Description

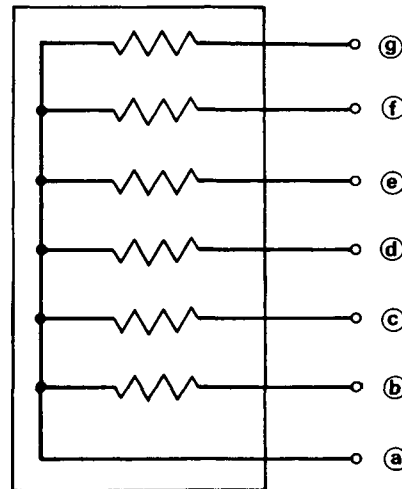
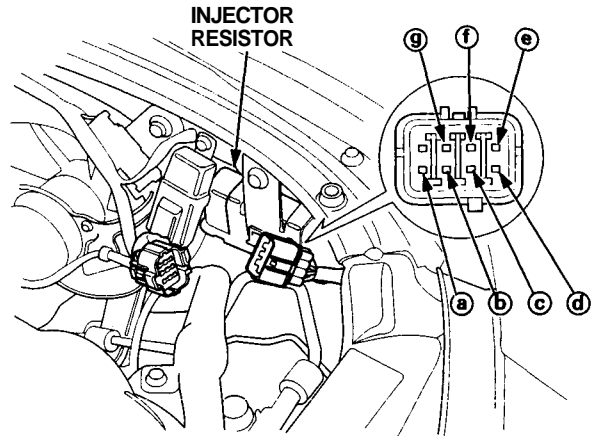
The resistor lowers the current supplied to the injectors to prevent damage to the injector coils. This allows a faster response time of the injectors.



Testing

1. Disconnect the resistor connector.
2. Check for resistance between each of the resistor terminals (b, c, d, e, f and g) and the power terminal (a).

Resistance should be: 5—7 Ω



- Replace the resistor with a new one if any of the resistances are outside of the specification.