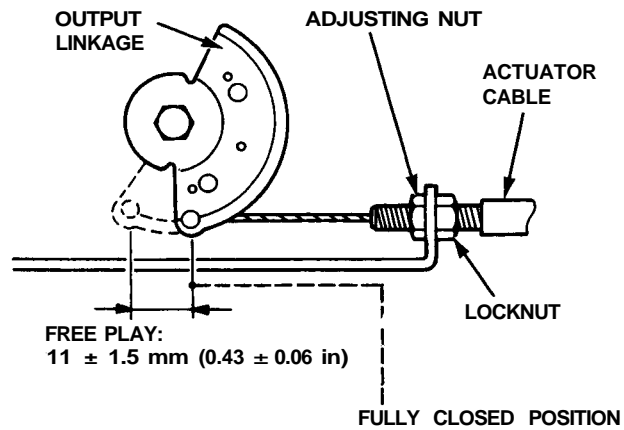




Actuator Cable Adjustment

1. Check that the actuator cable moves smoothly with no binding or sticking.
2. Start the engine and warm it up to normal operating temperature (radiator fan comes on).
3. Measure how far the output linkage moves before the engine speed starts to increase. Make sure you begin with the linkage at the fully closed position. Free play should be 11 ± 1.5 mm (0.43 ± 0.06 in).



4. If the free play is not within specs, loosen the locknut and turn the adjusting nut as required.

NOTE: If necessary, check the throttle control system (see [section 11](#)), then recheck the output linkage free play.

5. Retighten the locknut and recheck the free play.