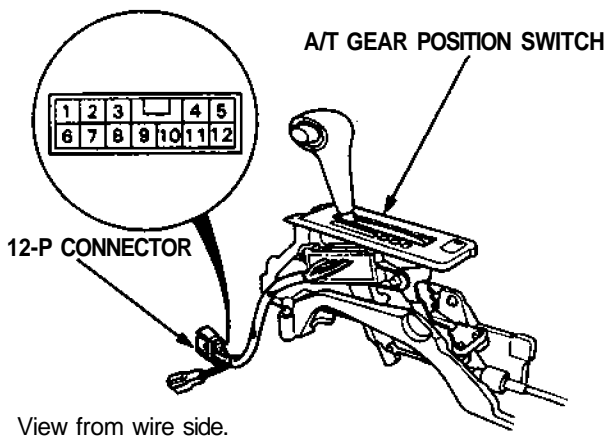


Cruise Control

A/T Gear Position Switch Test

1. Remove the front console, then disconnect the 12-P connector from the A/T gear position switch.
2. Check for continuity between the terminals in each switch position according to the table.
 - Move the lever back and forth at each position without touching the push button and check for continuity within the range of free play of the shift lever.
 - If there is no continuity within the range of free play, adjust the position of the A/T gear position switch (see page 23-160).

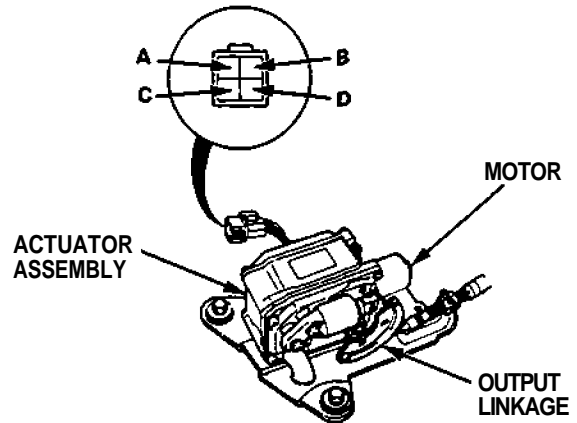


A/T Gear Position Switch (For cruise control)

Terminal	5	8
Position		
1		
2	○	○
3	○	○
D	○	○
N		
R		
P		

Actuator Assembly Test

1. Disconnect the 4-P connector from the actuator assembly.
2. Check that the output linkage moves smoothly.
3. Connect battery power to the D terminal and ground to the A terminal.



4. Check for a clicking sound from the magnetic clutch and that the output linkage is locked. You should be able to hear the motor.
5. If the output linkage is not locked, replace the actuator assembly.
6. Check the operation of the actuator motor in each output linkage position according to the table. You should be able to hear the motor.

Battery polarities		Output linkage position		
⊕	⊖	FULL CLOSE	MIDDLE POSITION	FULL OPEN
C Terminal	B Terminal	The motor runs	The motor runs	The motor stops
B Terminal	C Terminal	The motor stops	The motor runs	The motor operates

