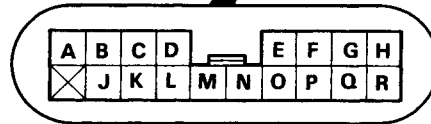
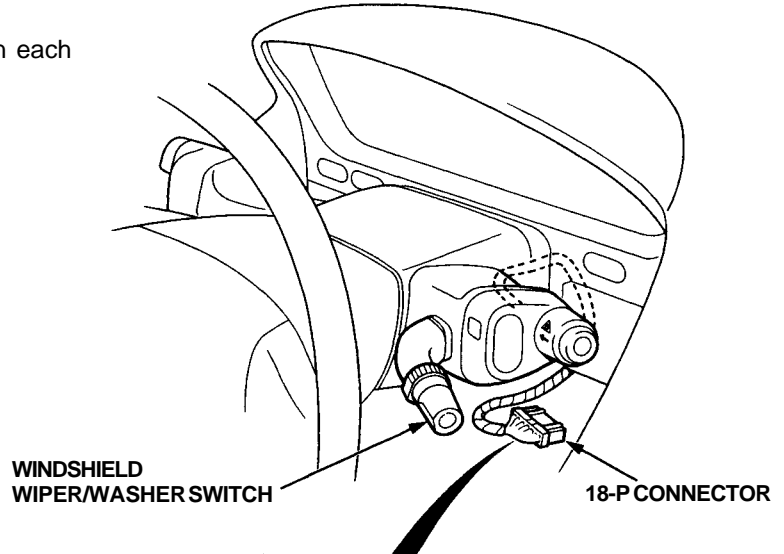


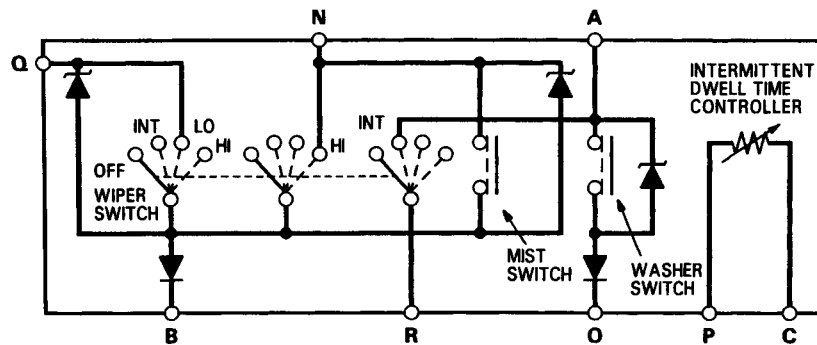
Wipers/Washers

Windshield Wiper/Washer Switch Test

1. Remove the dashboard lower cover (see page 23-126).
2. Disconnect the 18-P connector from the floor wire harness.
3. Check for continuity between the terminals in each switch position according to the table.



View from wire side



Terminal	A	B	C		N		O	P	Q	R
Position										
INT	○									○
LO		○		◀					○	
HI		○		◀	○					
Mist switch "ON"		○		◀	○	▶			○	
Washer switch "ON"	○			▶			○			
Intermittent dwell time controller turned			○			0-10K Ω		○		