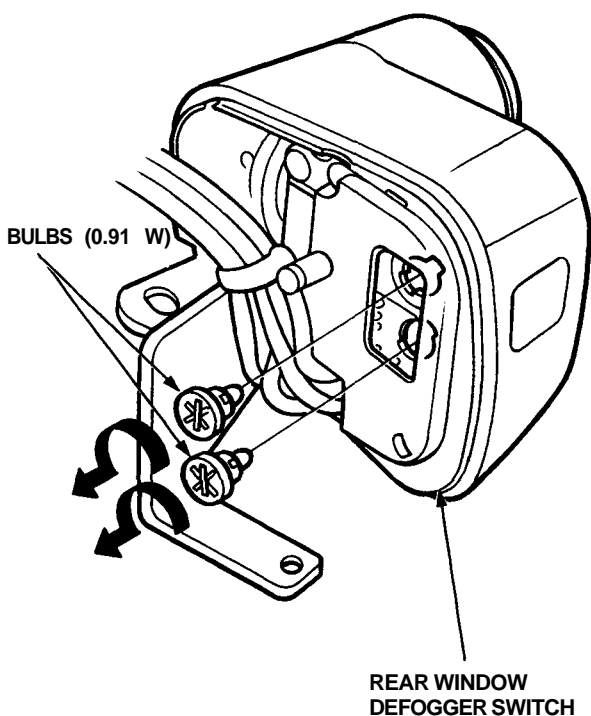


Rear Window Defogger

Switch Light Bulb Replacement

1. Remove the steering column lower and upper covers.
2. Remove the four screws from the combination switch.
3. Remove the rear window defogger switch (see [previous page](#)).
4. Remove the rear window defogger switch bulbs.



Relay Test

1. Remove the defogger relay in the engine compartment fuse/relay box.
2. There should be continuity between the C and D terminals.
3. There should be continuity between the A and B terminals when power and ground are connected to the C and D terminals.
There should be no continuity when power is disconnected.

