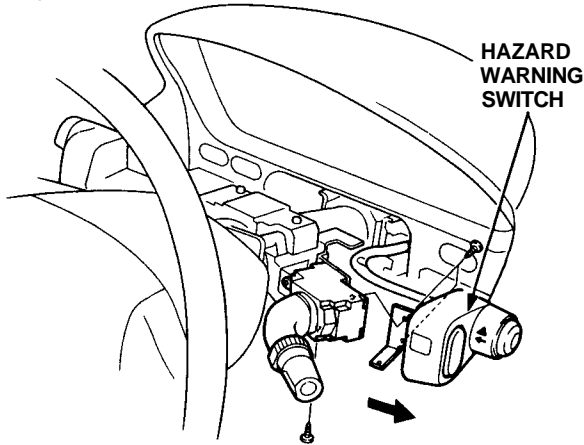


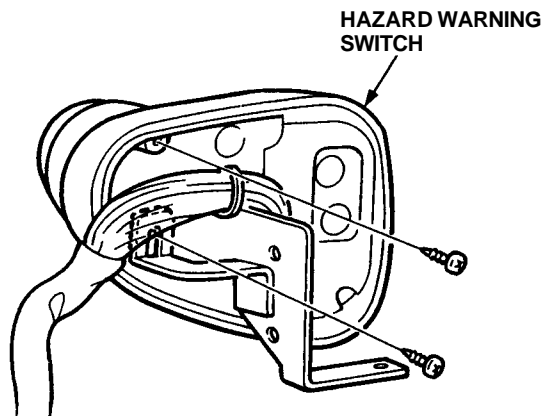


Hazard Warning Switch Light Bulb Replacement

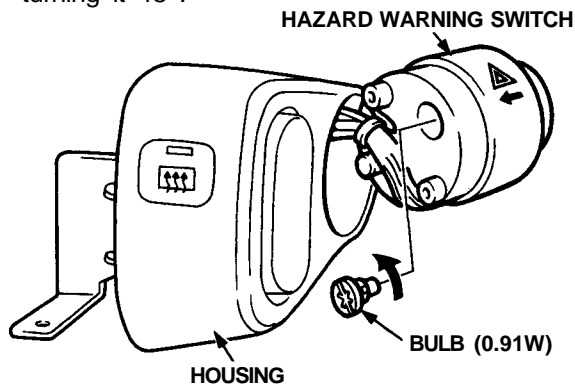
1. Remove the steering column covers.
2. Remove the screws from the hazard warning and wiper switches.



3. Remove the two screws from the back of switch.



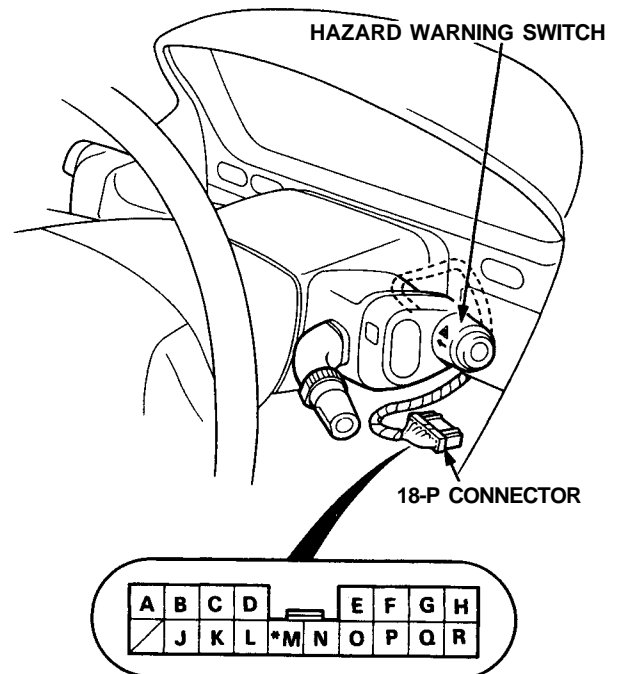
4. Slide the hazard warning switch out of the housing as shown.
5. Remove the bulb from the hazard warning switch by turning it 45°.



Hazard Warning Switch Test

1. Remove the dashboard lower cover (see page 23-126).
2. Disconnect the 18-P connector from the floor wire harness.
3. Check for continuity between the terminals in each switch position according to the table.

Terminal	F	D	E	M	G	H
Position						
OFF						
ON						



View from wire side

*M: Not used

