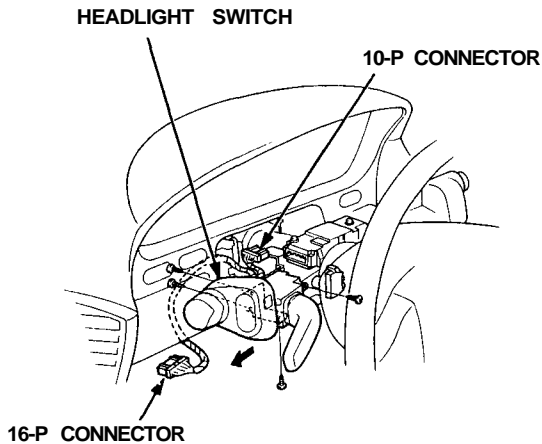
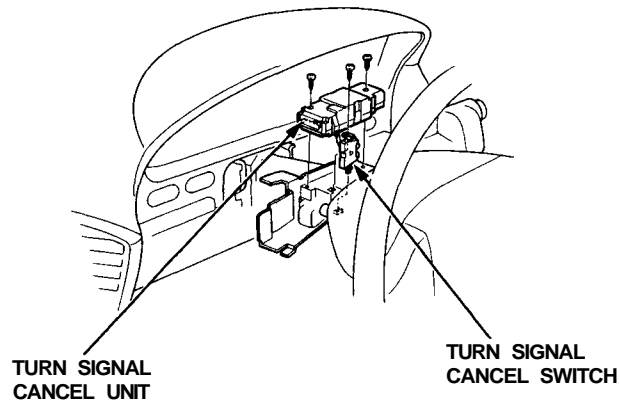




5. Remove the four screws from the headlight switch.

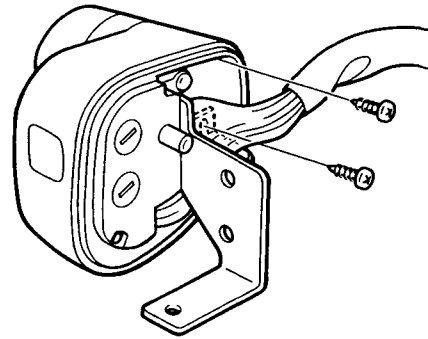


6. Disconnect the 10-P connector from the turn signal cancel unit, then remove the headlight switch and turn signal switch.
7. Separate the headlight switch from the turn signal switch.
8. If necessary, remove the turn signal cancel unit and cancel switch.

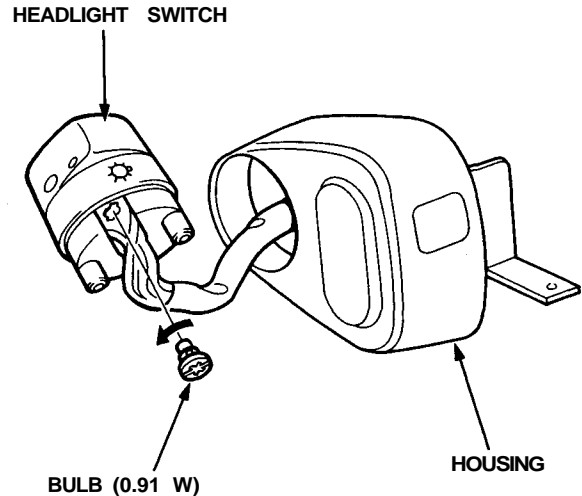


## Headlight Switch Light Bulb Replacement

1. Remove the headlight switch (see [previous page](#)).
2. Remove the two screws.



3. Slide the headlight switch out of the housing as shown.



4. Remove the bulb from the switch by turning it 45°.