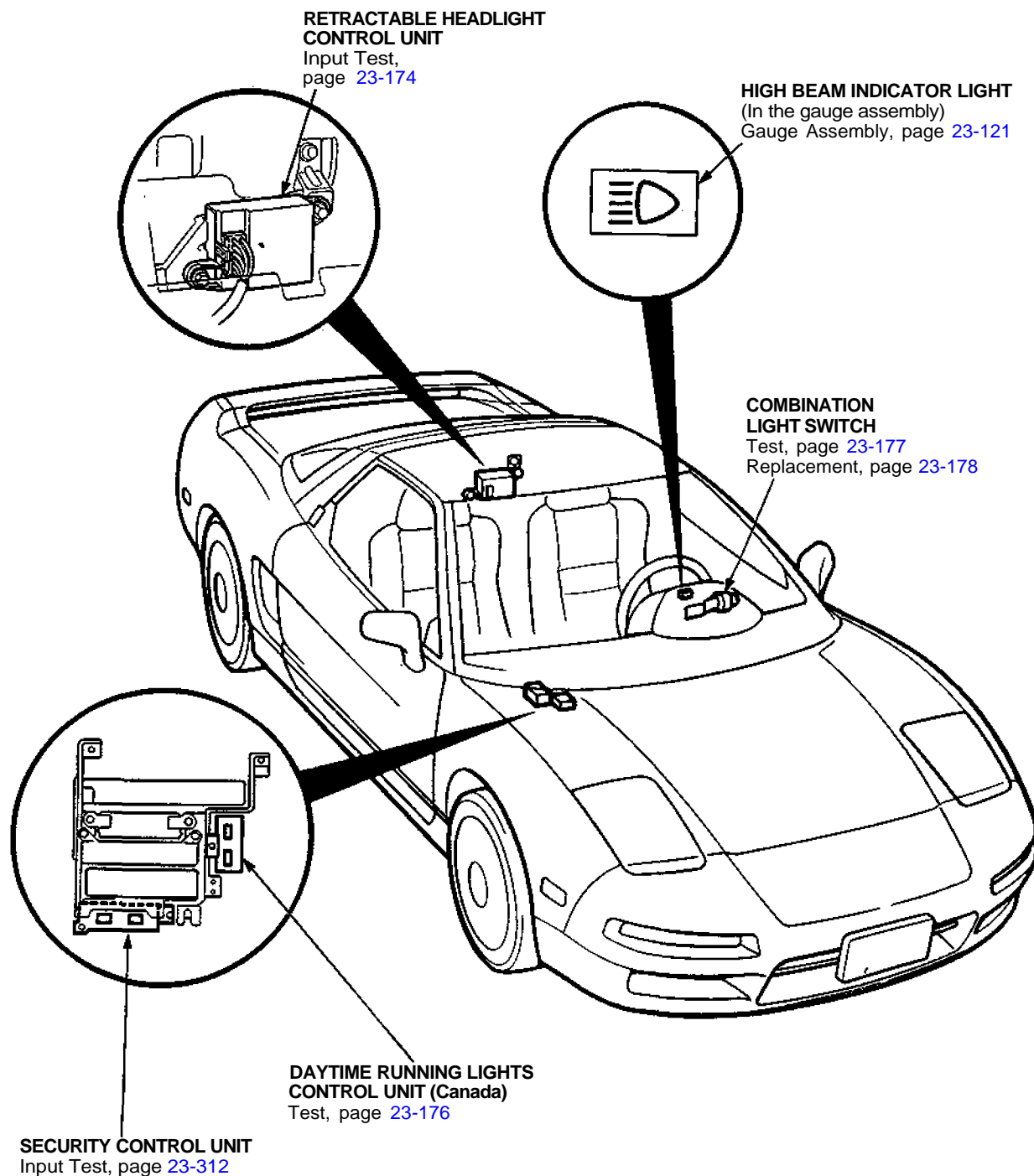
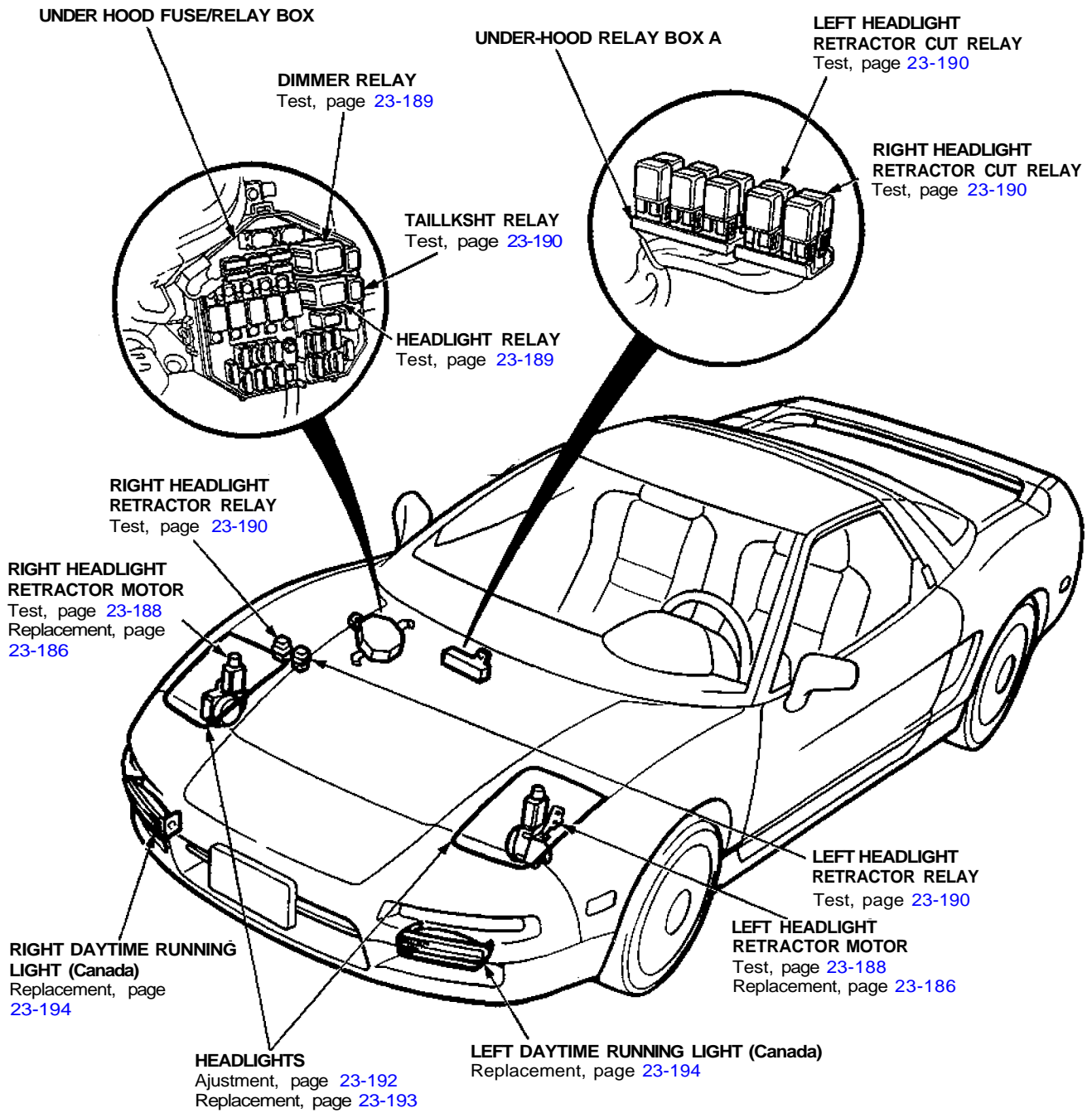


Lighting System

Component Location Index



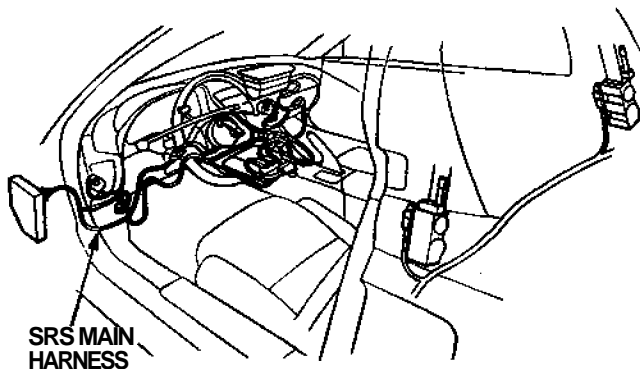


Lighting System

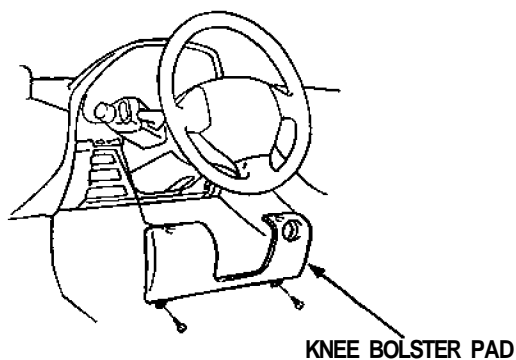
Headlight/Turn Signal Switch Replacement

CAUTION:

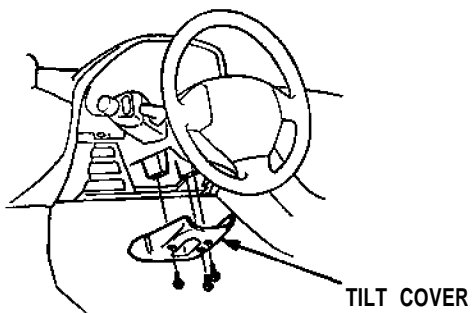
- All SRS wiring harnesses are covered with yellow outer insulation.
- Before disconnecting any part of the SRS wire harness, install the short connectors (page 24-10('93-'96)).
- Replace the entire affected SRS harness assembly if it has an open circuit or damaged wiring.



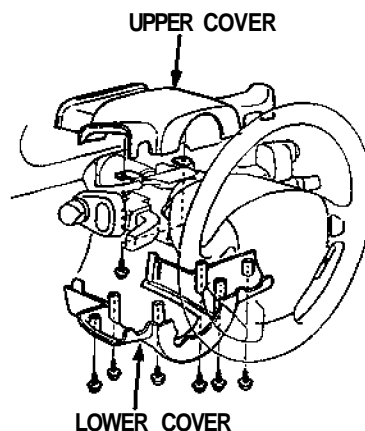
1. Remove the knee bolster pad.



2. Remove the tilt cover.



3. Remove the steering column lower cover and upper cover.



4. Disconnect the 16-P connector and 10-P connector.

