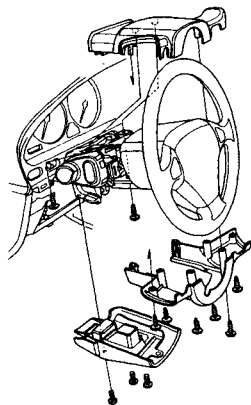


# Electronic Components

## Steering Angle Sensor Replacement

### Removal:

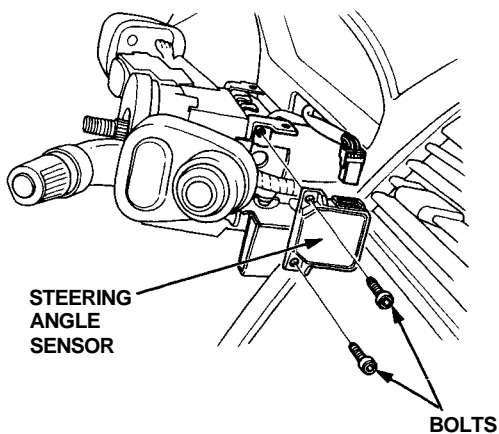
1. Remove the steering column covers.



2. Disconnect the 5-P connector from the steering angle sensor.
3. Remove the steering angle sensor mounting bolts, then remove the steering angle sensor.

**NOTE:** Take care not to drop the adjusting shim used between the steering angle sensor and sensor mounting bracket.

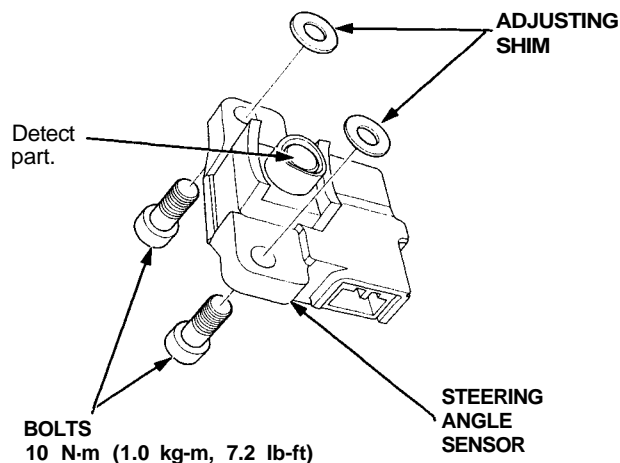
**CAUTION:** Take care not to damage or drop the steering angle sensor as it is sensitive.



### Installation:

1. Install the steering angle sensor by tightening 2 bolts and make sure the adjusting shim is installed properly.

**CAUTION:** Do not apply any grease or oil to the adjusting shim.



2. Connect the 5-P connector to the steering angle sensor.
3. Install the steering column covers.
4. Perform the steering angle sensor system check (See page 19-96).  
If there is an abnormality, check the troubleshooting flowchart (see page 19-96).

### NOTE:

- There is no need to select (replace) the shim when the steering angle sensor is replaced.  
Use the original shim.
- Selection (Replacement) of the adjusting shim (for adjusting the air gap) is required only when the steering column assembly (without the sensor) is replaced.



### Selection of the adjusting shim for the steering angle sensor air gap adjustment.

**NOTE:**

- The adjustment of the air gap between the steering shaft and the steering angle sensor should be carried out in order to obtain adequate sensor output.
- The adjusting shim reference number is stamped on the steering column. Adequate air gap can be kept by selecting the adjusting shim with the reference number.

#### Selection of The Adjusting Shim

Reference Number	Shim (P/N): (Thickness)
1	Not used: (0 mm)
2	A: (0.1 mm)
3	B: (0.2 mm)
4	A + B: (0.3 mm)
5	C: (0.4 mm)
6	A + C: (0.5 mm)
7	B + C: (0.6 mm)
8	D: (0.7 mm)

#### Adjusting Shim

Parts Number	Thickness	Color
A: 53395-SL0-A01	0.1 mm	Yellow
B: 53396-SL0-A01	0.2 mm	Black
C: 53397-SL0-A01	0.4 mm	Green
D: 53398-SL0-A01	0.7 mm	White

#### Reference Number Locations

