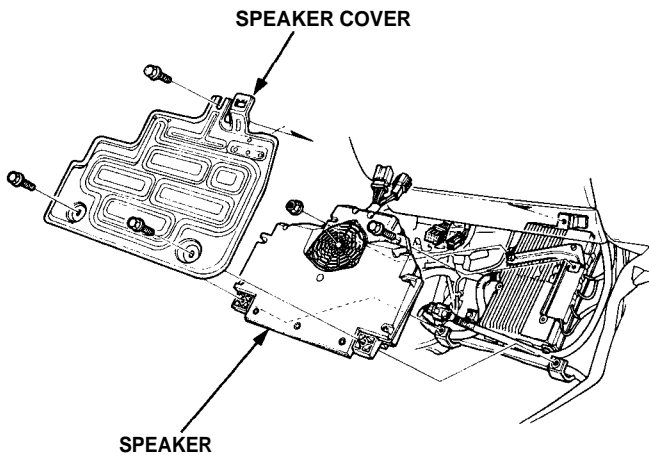




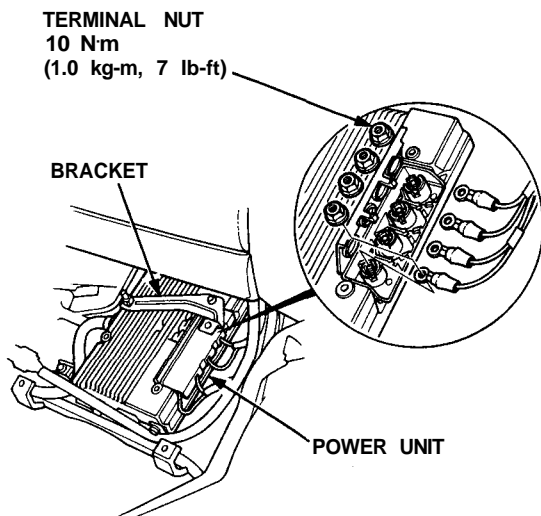
# Power Unit

## Replacement

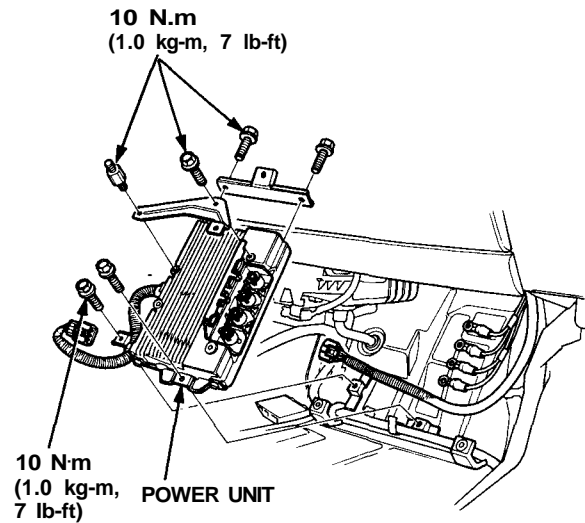
1. Remove the floor mat and speaker cover.
2. Disconnect the connector from the speaker and remove the speaker by removing the bolt and nut.



3. Remove the power unit bracket.
4. Bend terminal nut tabs back and remove the terminal nuts and disconnect the cables from the power unit terminals.



5. Remove the power unit by disconnecting the connector.



Installation is the reverse order of removal.

### NOTE:

- After tightening the terminal nuts, bend up the terminal nut tabs against the nut securely.
- Turn the ignition switch ON and check the EPS indicator light for operation.