

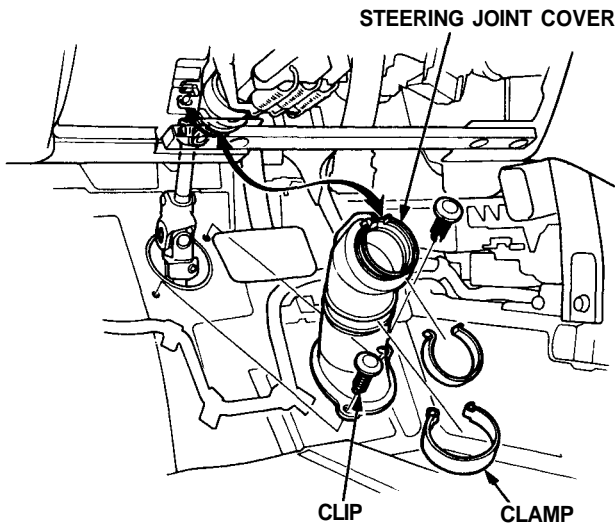


Manual Steering

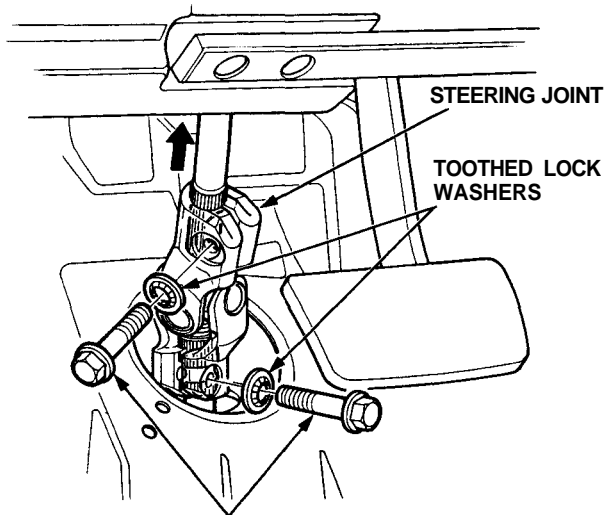
Gearbox Removal/Installation

NOTE: Before removing the steering gearbox, make sure the front wheels are straight ahead.

1. Remove the steering joint cover.



2. Remove the steering joint bolts, and disconnect the steering joint by moving the joint toward the column.



STEERING JOINT BOLTS
22 N·m (2.2 kg-m, 16 lb-ft)

3. Lock the steering shaft with ignition key to keep the steering shaft position.
4. Raise the car and place safety stands in the proper locations (see [section 1](#)).
5. Remove the front wheels.

6. Remove the cotter pin from the castel nut and remove the nut.

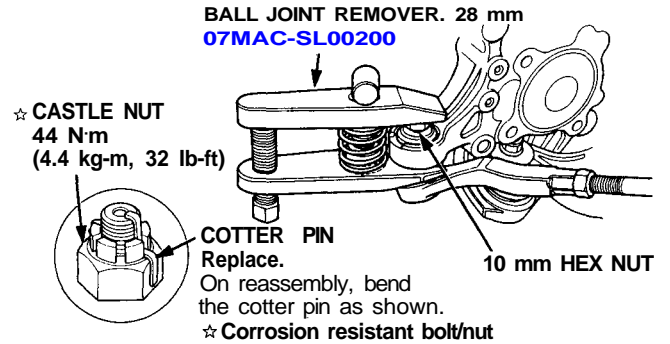
7. Install the 10 mm hex nut on the ball joint. Be sure that the 10 mm hex nut is flush with the ball joint pin end, or the threaded section of the ball joint pin might be damaged by the ball joint remover.

NOTE: Remove the ball joint using the Ball Joint Remover, 28 mm (07MAC-SL00200). Refer to page 18-21('93-'96), 18-21('91-'92) for how to use the ball joint remover.

8. Separate the tie-rod ball joint and knuckle using the special tool.

CAUTION: Avoid damaging the ball joint boot.

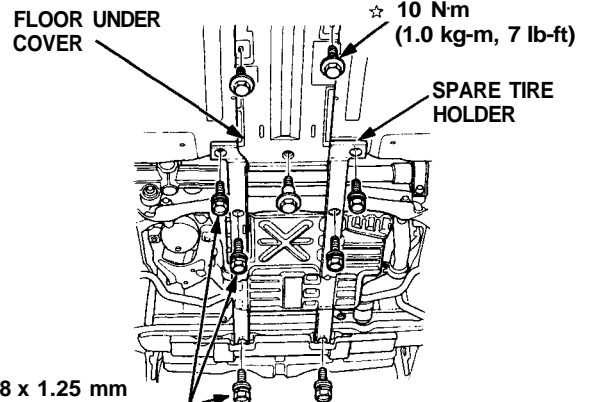
NOTE: If necessary, apply penetrating type lubricant to loosen the ball joint.



9. Remove the folding spare tire and spare tire holder plate.

10. Disconnect the battery negative terminal, then disconnect the positive terminal and remove the battery.

11. Remove the spare tire holder and floor under cover.



☆ 8 x 1.25 mm BOLT WASHERS
25 N·m (2.5 kg-m, 18 lb-ft)

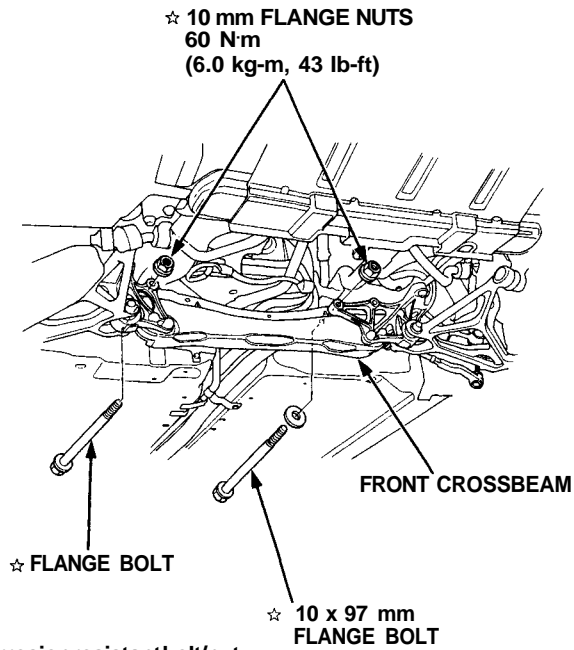
☆ Corrosion resistant bolt/nut

(cont'd)

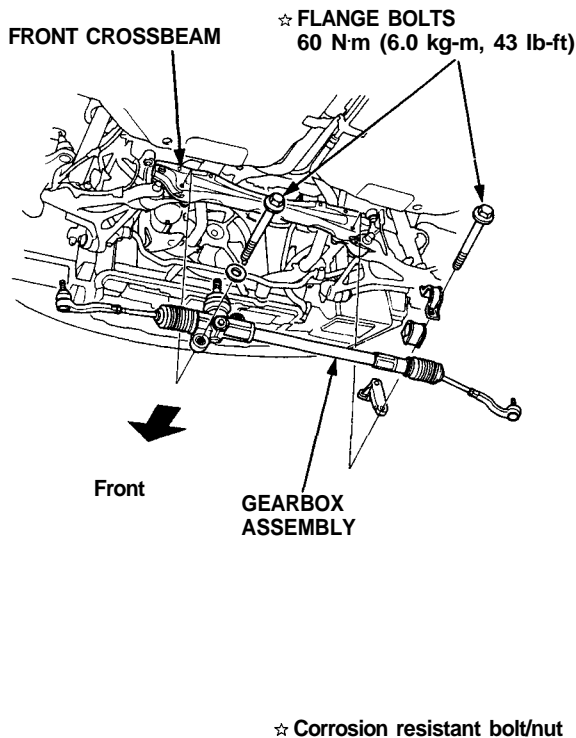
Manual Steering

Gearbox Removal/Installation (Cont'd)

12. Remove the flange bolts and nuts from the gearbox and front crossbeam.



13. Remove the steering gearbox from the front crossbeam by removing the flange bolts.

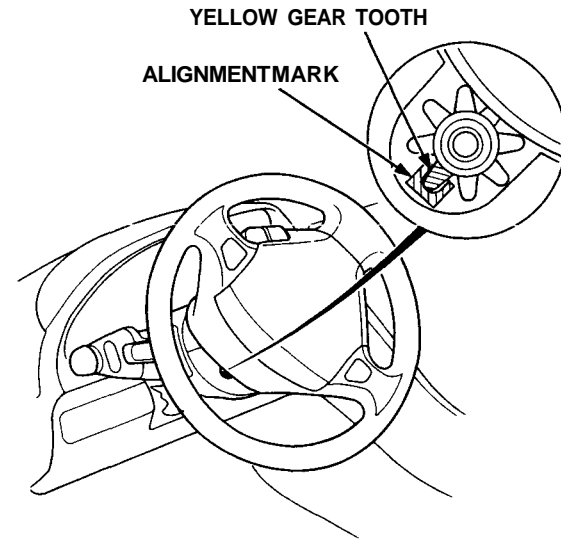


14. Install the gearbox in the reverse order of removal.

CAUTION: Torque the castle nut of the tie-rod end to the lower torque specification, then tighten it only far enough to align the slot with the pin hole. Do not align the nut by loosening.

NOTE: When connecting the steering joint, make sure that the cable reel of SRS is centered.

15. Set the steering rack in the center of its strokes.
16. Center the cable reel as follows:
- Turn the steering wheel left approx. 150 degrees, to check the cable reel position with indicator.
 - If the cable reel is centered, the yellow gear tooth lines up with the alignment mark on the cover.
 - Return the steering wheel right approx. 150 degrees to position the steering wheel in the straight ahead position.



17. Slip the lower of the steering joint onto the pinion shaft (line up the bolt hole with the groove around the shaft) and loosely install the lower bolt.

NOTE:

- Be sure that the lower steering joint bolt is securely in the groove in the steering gearbox pinion.
- If the steering wheel and rack are not aligned centered, reposition the serrations at lower side of the steering joint.

18. Adjust the front toe after installing the gearbox (see [section 18](#)).