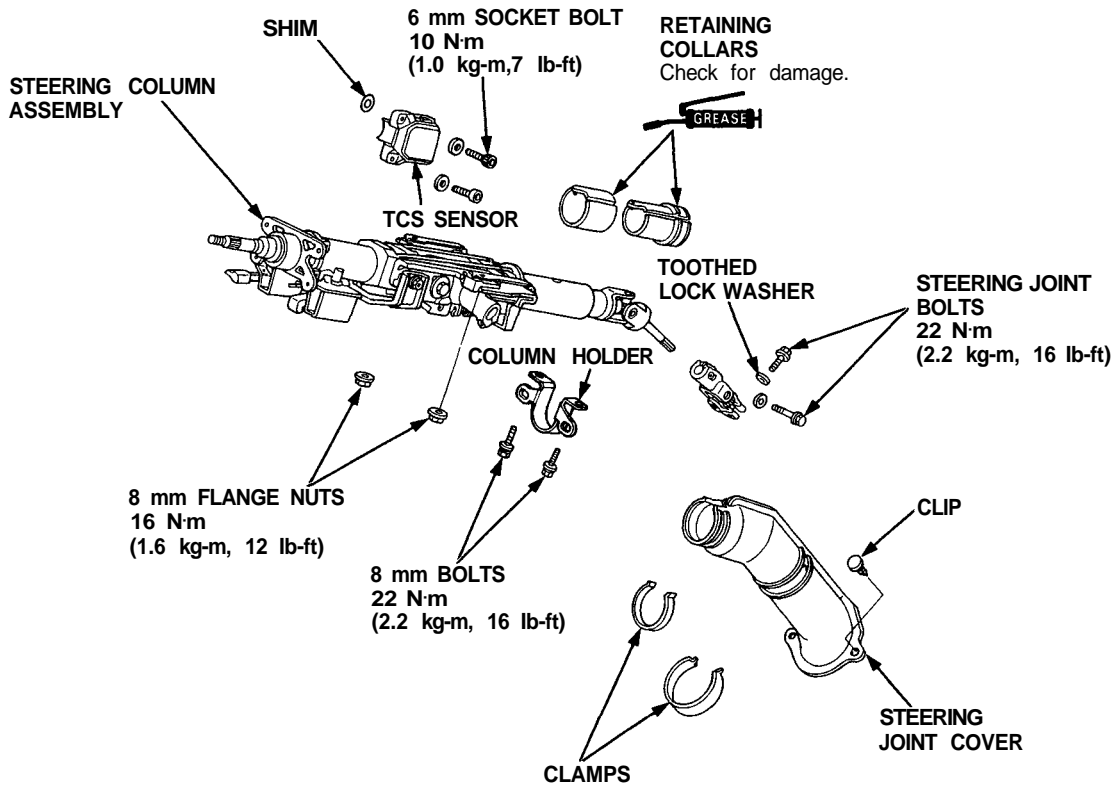


Steering Column

Inspection



NOTE:

- Check the telescopic mechanism, tilt mechanism, and steering joint bearings or steering shaft for movement and damage. Replace as an assembly if damaged or faulty.
- If either the steering column assembly or TCS sensor is removed, select the appropriate shim and adjust the distance between the steering shaft and TCS sensor. Refer to [Section 19](#) for shim selection.

Attach a spring scale to the knob of the telescopic lever. Measure the force required to move the lever.

Preload: 70-90 N (7-9 kg, 15-20 lbs)

If the force measured is not within the specification, loosen the locknut then the telescopic adjusting bolt until the correct force can be obtained.

