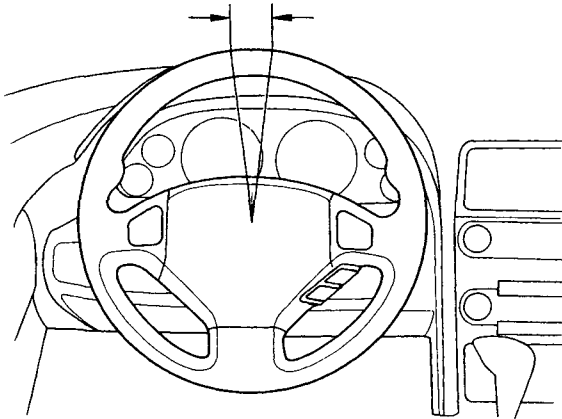


Inspection

Steering Wheel Rotational Play

1. Place the front wheels in a straight ahead position and measure the distance the steering wheel can be turned without moving the front wheels.
2. If the play exceeds the service limit, check all steering components.
Service Limit: 5 mm (0.2 in) maximum

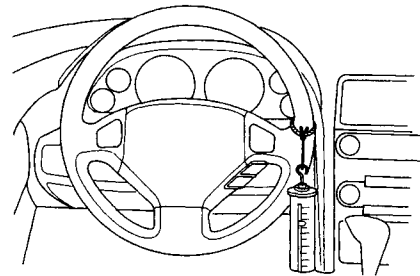


Power Assist Check With Car Parked (Electrical Power Steering Only)

Turn the steering wheel with a spring scale. Read the measurement when the front wheels or steering wheel start to move.

Operation Standard

Condition	Stationary Swing operation load
Without power assist (engine off)	120 N (12 kg, 26 lbs) maximum
With power assist (engine running)	42 N (4.2 kg, 9.3 lbs) maximum



Steering Effort Check (Manual Steering Only)

1. Raise the front wheels off the ground (see [section 1](#)).
2. Turn the steering wheel with a spring scale and check its reading.
3. If the reading exceeds the service limit, adjust the steering gearbox as shown on the next page.
Service Limit: 20 N (2 kg, 4 lbs) maximum

