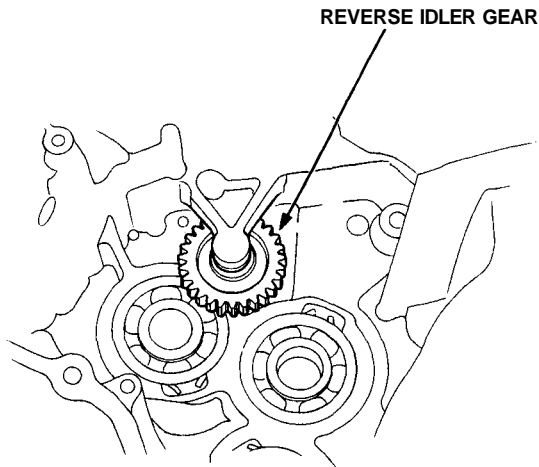


Reverse Idler Gear



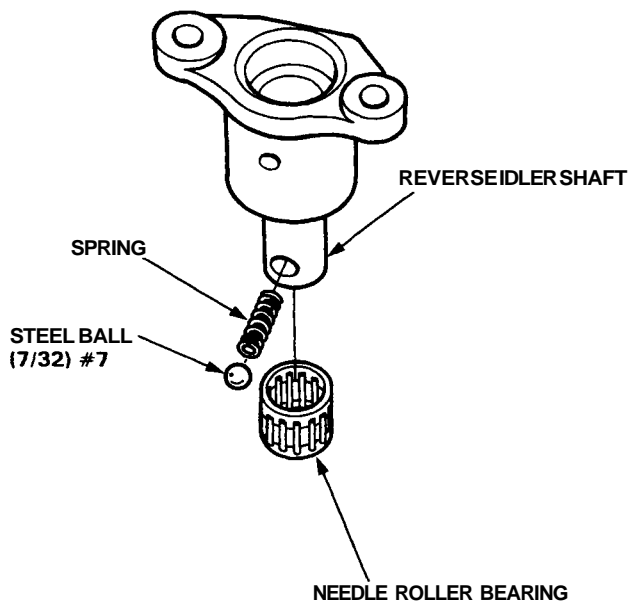
Installation

1. Install the reverse idler gear.



2. Set the spring in the reverse idler shaft. Push the spring in with the steel ball then install the needle bearing.

NOTE: The steel ball is under spring pressure. Take care not to let it pop out.



3. Install the reverse idler shaft holder into the transmission housing, then tighten the bolts.

