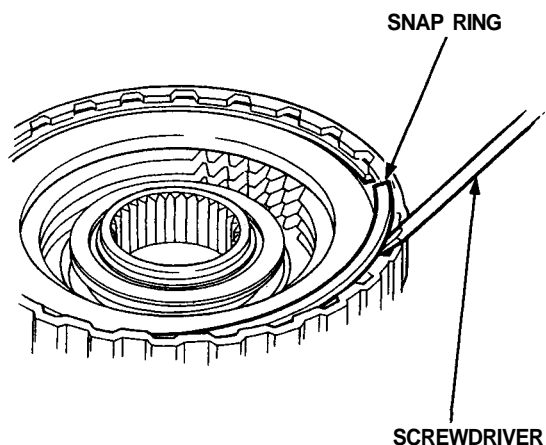




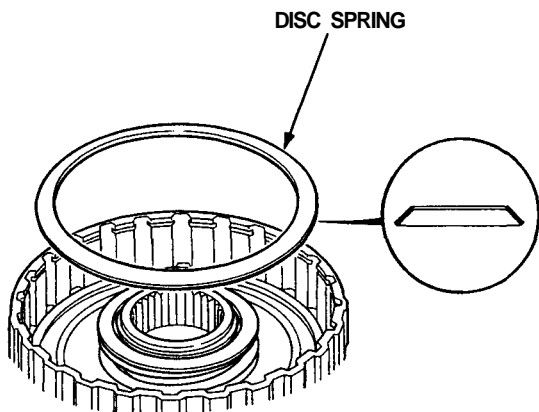
Disassembly

1. Remove the snap rings, then remove the clutch end plate, clutch discs and plates.

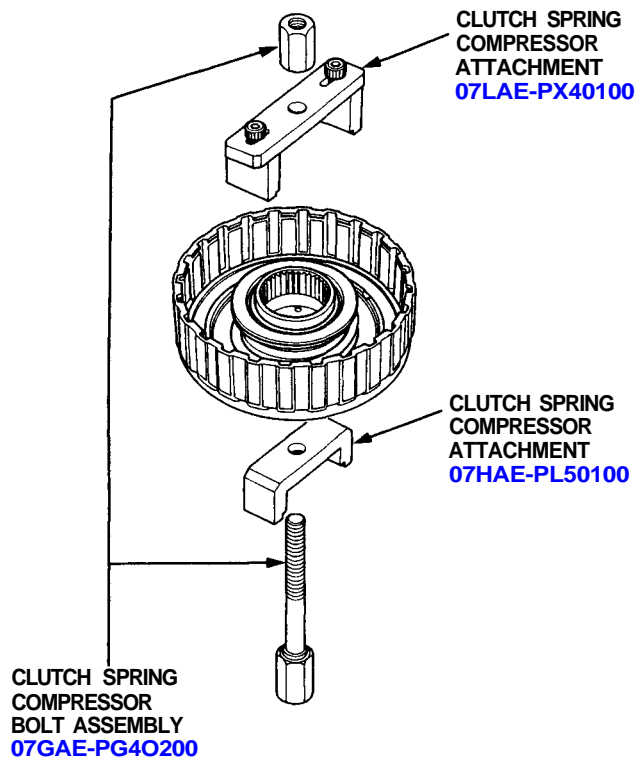


2. Remove the disc spring.

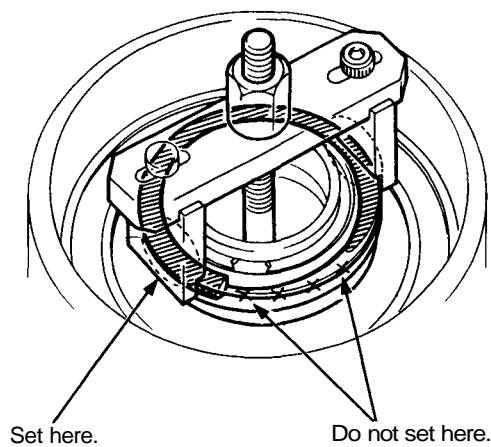
NOTE: For 1 st-hold and 2nd clutches



3. Install the special tools as shown.



CAUTION: If either end of the compressor attachment is set over an area of the spring retainer which is unsupported by the return spring, the retainer may be damaged.

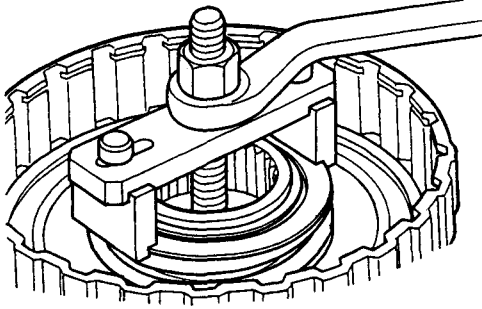


(cont'd)

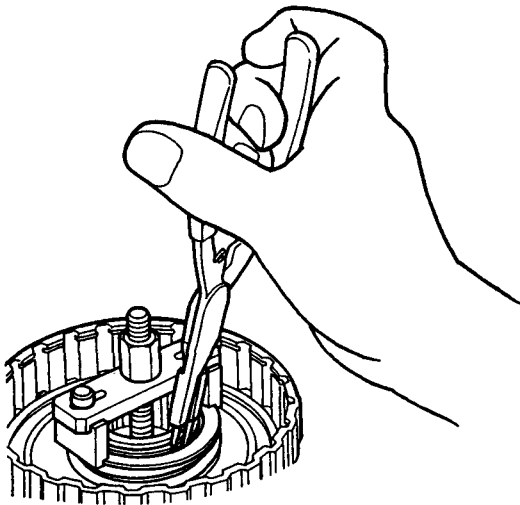
Clutch

Disassembly (cont'd)

4. Compress the clutch return spring.



5. Remove the circlip. Then remove the special tool, spring retainer and return spring.



6. Wrap a shop rag around the clutch drum and apply air pressure to the oil passage to remove the piston. Place a finger tip on the other end while applying air pressure.

