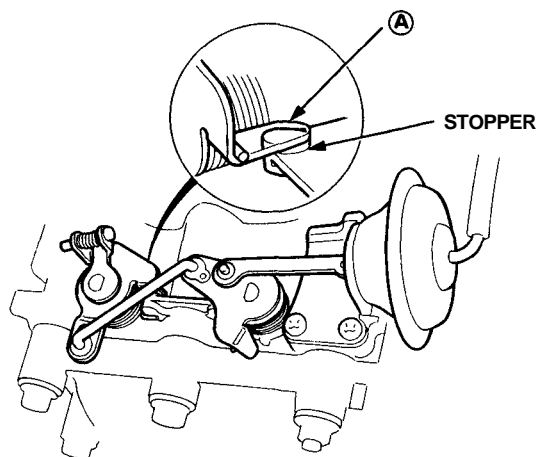




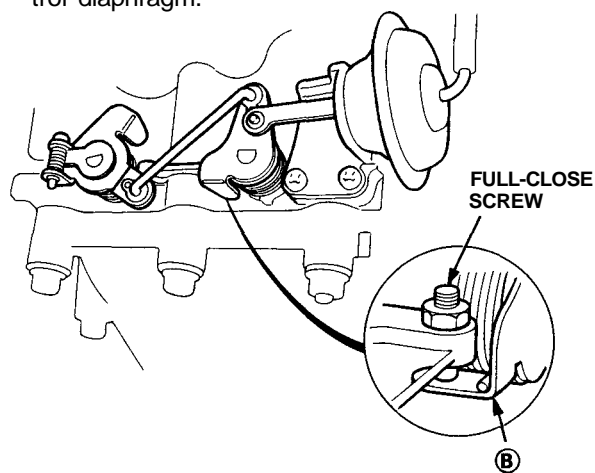
## Intake Air Bypass (IAB) Control Valve Testing

**CAUTION:** Do not adjust the IAB control valve full-close screw. It was preset at the factory.

1. Check the IAB control valve shaft for binding or sticking.
2. Check the IAB control valve for smooth movement.
3. Check that **(A)** of the IAB control valve is in close contact with the stopper when the vacuum hose is disconnected from the IAB control diaphragm.



4. Check that **(B)** of the IAB control valve is in close contact with the full-close screw when you apply 380 mm Hg (1 5 in. Hg) of vacuum to the IAB control diaphragm.



- If any fault is found, clean the linkage and shafts with carburetor cleaner.
- If the problem still exists after cleaning, disassemble the intake manifold and check the IAB valve body assembly (see page 11-140).

(cont'd)