

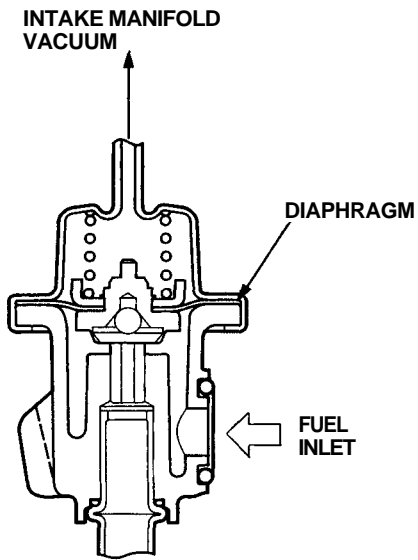


Fuel Pressure Regulator

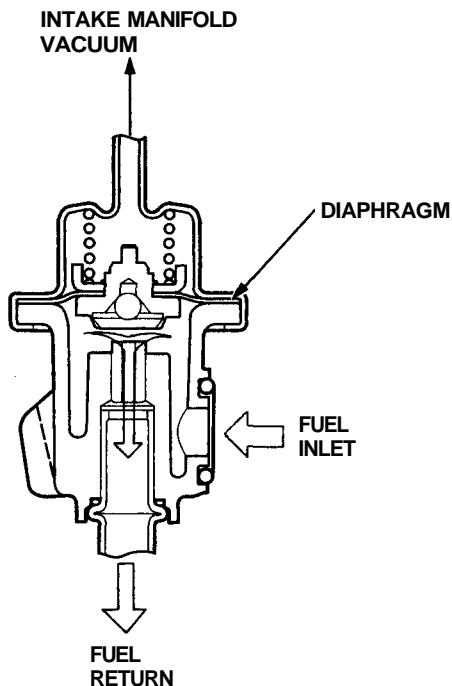
Description

The fuel pressure regulator maintains a constant fuel pressure to the fuel injectors. When the difference between the fuel pressure and manifold pressure exceeds 3.5 kg/cm^2 (50 psi), the diaphragm is pushed upward, and the excess fuel is fed back into the fuel tank through the fuel return pipe.

CLOSE



OPEN

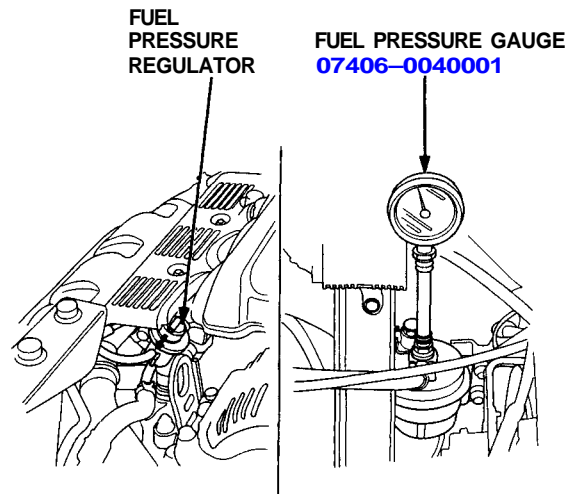


Testing

⚠ WARNING Do not smoke during the test. Keep open flames away from your work area.

1. Attach a pressure gauge to the service port of the fuel filter (see page 11-106).

Pressure should be:
330–370 kpa (3.30–3.70 kg/cm², 46–53 psi)
(with the fuel pressure regulator vacuum hose disconnected and pinched)



2. Reconnect the vacuum hose to the fuel pressure regulator.
3. Check that the fuel pressure rises when the vacuum hose from the fuel pressure regulator is disconnected again.

If the fuel pressure did not rise, replace the fuel pressure regulator.

(cont'd)

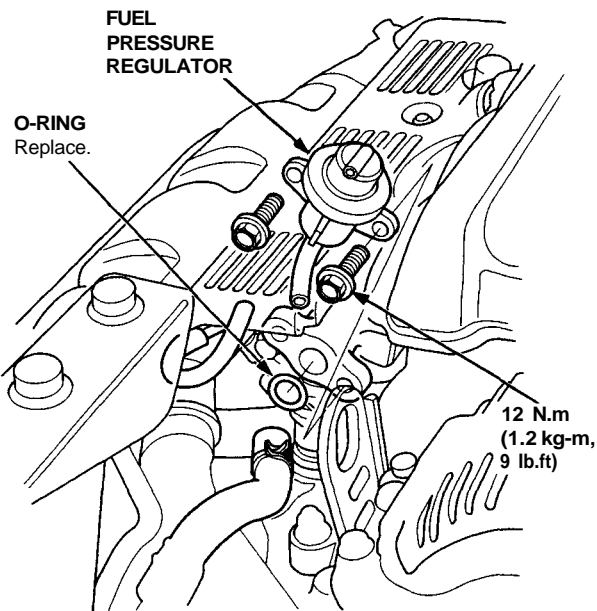
Fuel Supply System

Fuel Pressure Regulator (cont'd)

Replacement

⚠ WARNING Do not smoke while working on fuel system. Keep open flame away from your work area.

1. Place a shop towel under fuel pressure regulator, then relieve fuel pressure (see page 11-105).
2. Disconnect the vacuum hose and fuel return hose.
3. Remove the two 6 mm retainer bolts.



NOTE:

- Replace the O-ring.
- When assembling the fuel pressure regulator, apply clean engine oil to the O-ring and assemble it into its proper position, taking care not to damage the O-ring.

Fuel Filter

Replacement

⚠ WARNING Do not smoke while working on fuel system. Keep open flame away from your work area.

The fuel filter should be replaced: every 4 years or 60,000 miles (96,000 km), whichever comes first or whenever the fuel pressure drops below the specified value (330-370 kPa (3.30-3.70 kg/cm², 46-53 psi) with the fuel pressure regulator vacuum hose disconnected) after making sure that the fuel pump and the fuel pressure regulator are OK.

1. Place a shop towel under and around the fuel filter.
2. Relieve fuel pressure (see page 11-105).
3. Remove the 12 mm banjo bolt and the fuel feed pipe from the filter.
4. Remove the fuel filter clamp and fuel filter.
5. When assembling, use new washers, as shown.

