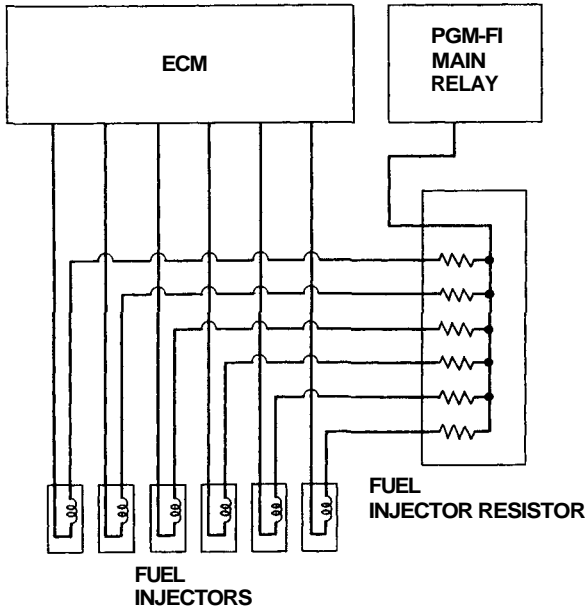


Fuel Supply System

Fuel Injector Resistor

Description

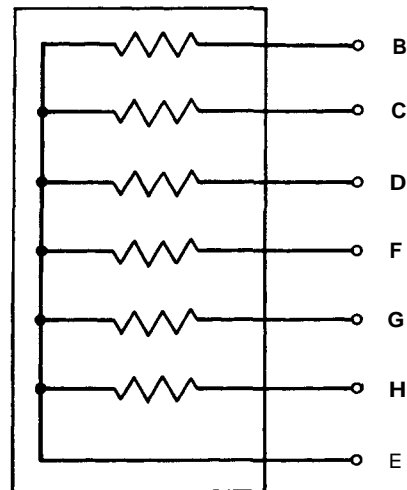
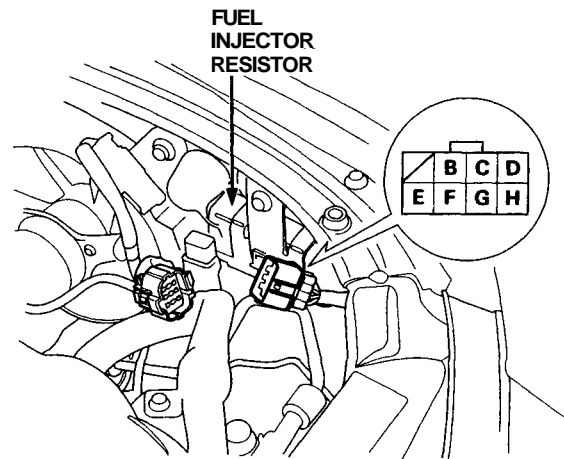
The fuel injector resistor lowers the current supplied to the fuel injectors to prevent damage to the fuel injector coils. This allows a faster response time of the fuel injectors.



Testing

1. Disconnect the fuel injector resistor connector.
2. Check for resistance between each of the fuel injector resistor terminals (B, C, D, F, G and H) and the power terminal (E).

Resistance should be: 5—7 Ω



- Replace the fuel injector resistor with a new one if any of the resistances are outside of the specification.