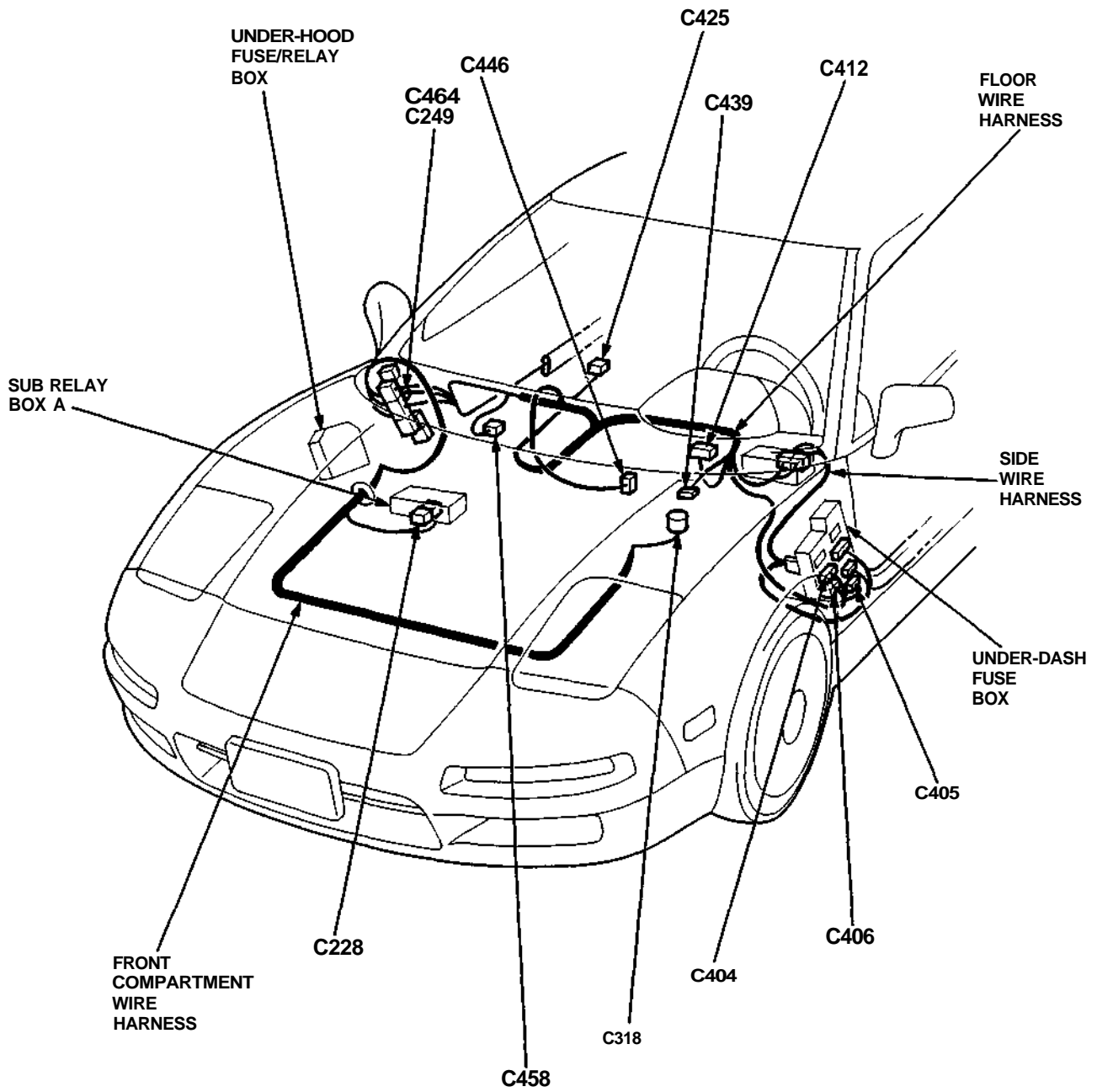


System Description

System Connectors [Front Compartment and Under-dash] (cont'd)



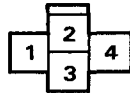


C228



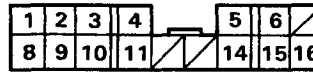
1	YEL/BLK
2	WHT/BLU
③	BLU/RED ₂
4	BLK

C318



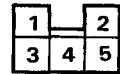
①	BLK
2	BRN/BLK
③	RED/GRN
4	BLK

C404



1	WHT/BLU	9	YEL/WHT
2	WHT/BLU	10	GRN/WHT (A/T)
3	BRN/RED	⑩	BLK/WHT
4	GRN/YEL	12	---
5	YEL/GRN	13	---
6	YEL/RED	⑭	YEL
7	---	⑮	YEL
8	BRN/YEL	16	YEL

C405



①	BLK/BLU
2	WHT
③	BLK/YEL
4	BLU/WHT
5	WHT/RED

C406



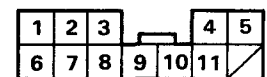
1	PNK	10	BLK/YEL
2	RED/BLK	⑩	BLK/YEL
3	RED/BLK	12	BLK/RED (Canada)
4	RED/BLK	13	GRN/WHT
5	BLK	14	---
6	BLK	15	BLK
7	YEL/BLK	16	BLK
8	YEL/BLK	17	YEL/BLK
9	GRN/BLU	18	YEL/BLK

C412



1	RED/YEL	16	BLK/WHT
2	BLK/WHT	17	GRN/RED
3	ORN/WHT	18	GRN/BLK
4	---	19	BLU
5	RED/GRN	20	GRN/BLU
6	LT GRN/WHT (A/T)	21	BRN/BLK (A/T)
7	GRN/YEL (A/T)	22	YEL/BLK (A/T)
⑧	LT GRN (A/T)	⑳	GRN (A/T)
9	RED/BLK	24	LT BLU (A/T)
10	PNK	⑳	GRY/WHT (A/T)
⑪	GRN	26	YEL/BLU (A/T)
⑫	YEL	27	WHT/BLU
13	BLK	28	YEL/GRN
14	BLU/WHT	⑳	BLU
15	ORN/BLK	30	YEL/RED

C425 (A/T)



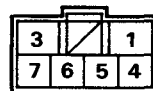
1	GRN/BLU	7	LT BLU
2	BRN/BLK	8	BLK
3	GRN/YEL	9	GRN/BLK
4	LT GRN/WHT	10	YEL
5	BLU/ORN	⑩	GRY/WHT
⑥	GRN	12	---

C439



①	BLK
2	BLU/ORN
③	PNK

C446



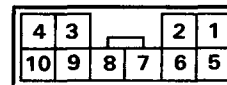
①	BLK/YEL
2	---
3	WHT/RED
4	BLK/WHT
6	WHT/BLK
6	WHT/RED
7	WHT

C458



①	BLU
②	GRN/WHT ₂

C464



1	WHT/BLK	6	LT GRN/BLK
2	WHT	7	PNK/BLK
3	YEL/BLK	8	BLU/BLK
4	BLU/WHT	9	GRN/RED
5	ORN	⑩	RED/GRN

NOTE: Several different wires have the same color.

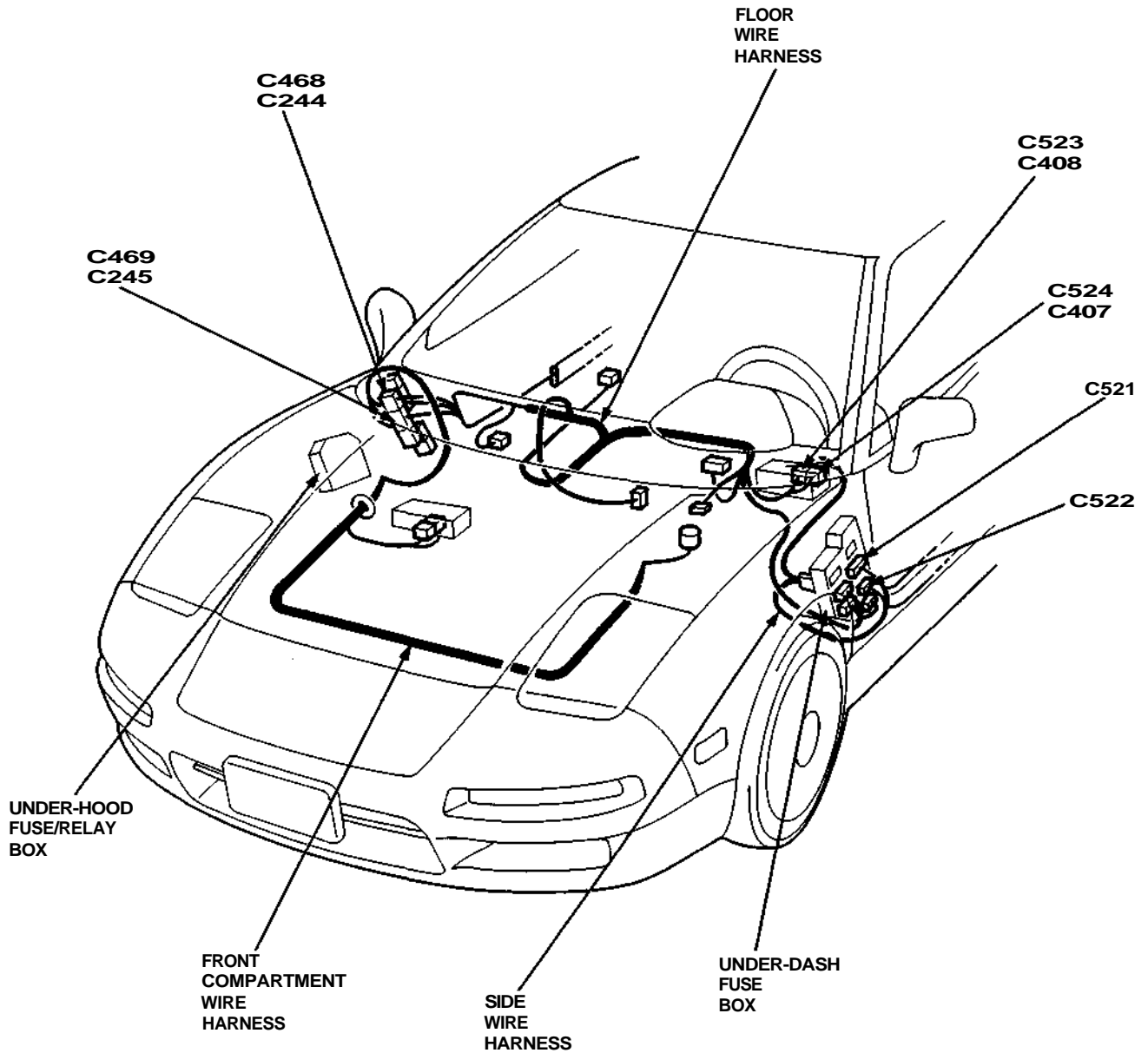
They have been given a number suffix to distinguish them (for example YEL/BLK₁ and YEL/BLK₂ are not the same).

O: Related to PGM-FI SYSTEM

(cont'd)

System Description

System Connectors [Front Compartment and Under-dash] (cont'd)





C468

9	8	7	6		5	4	3	2	1	
20	19	18	17	16	15	14	13	12	11	10

1	RED/BLU	11	WHT/BLU
2	WHT/YEL	12	BRN/WHT
3	BRN	13	WHT/BLK
④	WHT/YEL	14	GRN/WHT
5	BLK/SLU	15	GRN/YEL
6	BLK	16	RED/YEL
7	PNK/BLU	17	BLU/ORN
8	WHT/BLU	18	YEL
9	BLU	19	WHT/YEL
10	BLK/GRN	20	PNK/BLK

C469

8	7	6	5		4	3	2	1	
18	17	16	15	14	13	12	11	10	9

1	RED/WHT	10	BLU/RED
2	YEL/WHT	11	GRN/BLK
3	BLU/WHT	12	ORN/BLU
4	BLU	13	GRN/WHT
5	RED	14	GRY
6	BRN/BLK	15	LT BLU
7	BLK	16	ORN/RED
⑥	RED/BLU ₂	17	ORN/BLK
9	GRY/WHT	18	YEL/RED

C521

1	2	3	4	5		6	8	9	
/	11	12	/	/	15	/	17	18	20

①	BLK/YEL	11	RED/BLK
2	RED/BLU	⑩	BLK/YEL
3	GRN/WHT	13	---
4	YEL/BLK	14	---
5	GRN/WHT	16	GRN/BLU
6	ORN/YEL	16	---
7	---	17	YEL/WHT
8	RED/BLU	18	WHT/BLU
9	RED/ORN	19	---
10	---	20	BLK

C522

1
2

①	BLK/YEL
2	BLK/WHT

C523

1	2	3	4	5		6	7	8	9	
10	11	12	13	14	15	16	17	18	19	20

1	GRN/WHT	11	BRN/YEL
2	BLK	12	GRN/RED
3	BLU	13	BLK/WHT
4	WHT/BLK	14	RED/BLU
5	ORN/BLK	15	PNK/WHT
6	RED/WHT	16	ORN/WHT
7	WHT	17	BRN/WHT
8	PNK/ORN	18	GRN/BLK
⑨	YEL/BLU	19	YEL (M/T)
10	YEL/BLU	20	ORN

C524

1	2
---	---

①	BLK/YEL
2	WHT/BLK

NOTE: Several different wires have the same color.

They have been given a number suffix to distinguish them (for example YEL/BLK₁ and YEL/BLK₂ are not the same).

O: Related to PGM-FI SYSTEM