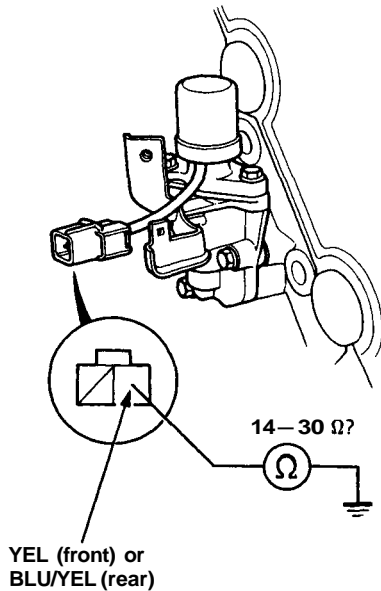


VTEC

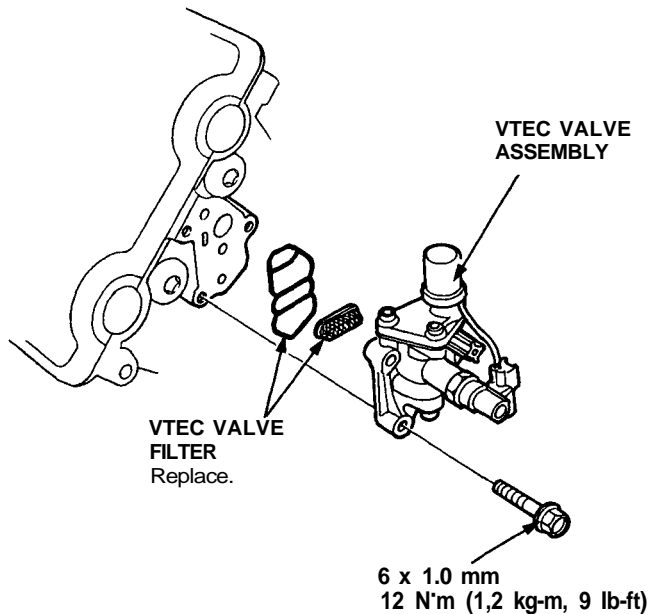
VTEC Valve Inspection

1. Disconnect the 2P connector from the VTEC solenoid valve.
2. Measure resistance between the YEL (front) or BLU/YEL (rear) terminal and body ground.

Resistance: approx 14—30 ohms



3. If the resistance is within specifications, remove the VTEC valve assembly from the cylinder head, and check the VTEC valve filter for clogging.
 - If there is clogging, replace the engine oil filter and engine oil.



4. If filters are normal, push the VTEC solenoid valve with your finger and check its movement.
 - If VTEC solenoid valve is normal, check the engine oil pressure.

