



# Wipers/Washers

## Component Location Index

SRS components are located in this area. Review the SRS component locations, precautions, and procedures in the SRS [section \(24\)](#) before performing repairs or service.

### UNDER-HOOD RELAY BOX B

• WIPER INTERMITTENT RELAY  
Test, page [23-291](#) ('94-'96) ('93) ('91-'92)

• WIPER LOW/HIGH RELAY  
Test, page [23-292](#) ('94-'96) ('93) ('91-'92)

• WASHER RELAY  
Test, page [23-292](#) ('94-'96) ('93) ('91-'92)

### WINDSHIELD WIPER ARMS/BLADES

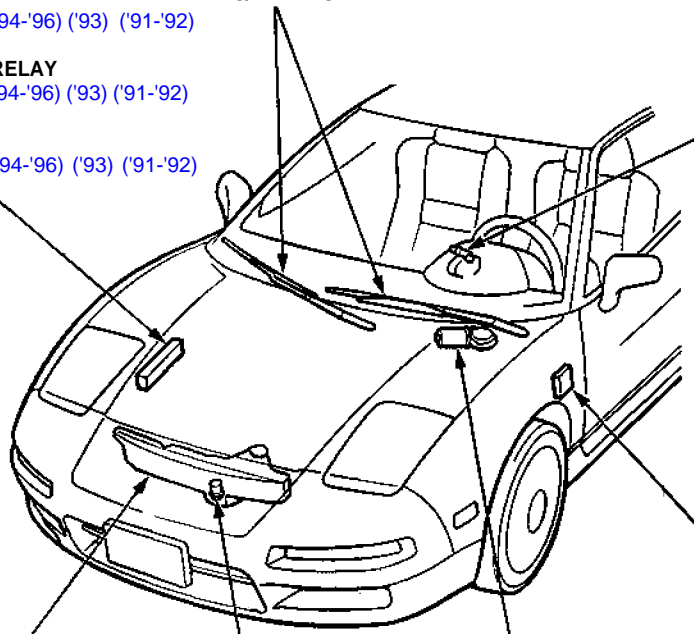
WINDSHIELD WIPER/WASHER SWITCH  
Test, page [23-296](#) ('94-'96) ('91-'93)  
Replacement [23-294](#) ('93-'96) ('91-'92)

COMBINED OPERATION WIPER/WASHER CIRCUIT  
(In the integrated control unit)  
Test, page [23-169](#) ('94-'96) ('91-'93)

WASHER FLUID RESERVOIR  
Replacement, page [23-297](#) ('94-'96) ('91-'93)

WINDSHIELD WASHER MOTOR  
Test, page [23-297](#) ('94-'96) ('91-'93)

WINDSHIELD WIPER MOTOR  
Test, page [23-293](#) ('94-'96) ('93) ('91-'92)  
Replacement, page [23-294](#) ('93-'96) ('91-'92)



## Description

The system is equipped with an intermittent relay, a low relay and a high relay. Wiper operation at INT and LO positions is controlled by the intermittent wiper circuit (incorporated in the integrated control unit).