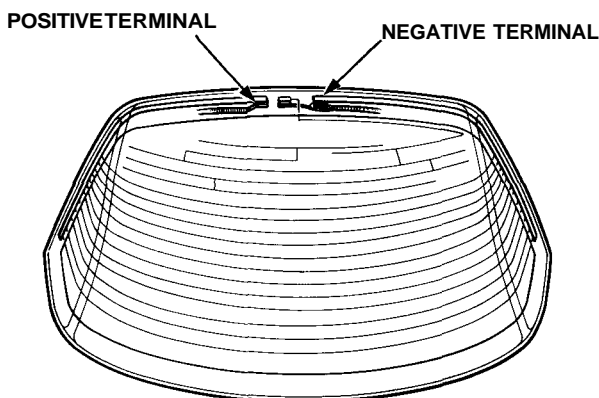


Rear Window Defogger

Function Test

CAUTION: Be careful not to scratch or damage the defogger wires with the tester probe.

1. Check for voltage between the positive terminal and body ground with the ignition switch and the defogger switch ON. There should be battery voltage.
 - If there is no voltage, check for:
 - Faulty defogger relay.
 - An open in the BLK/GRN wire.
 - If there is battery voltage, go to step 2.

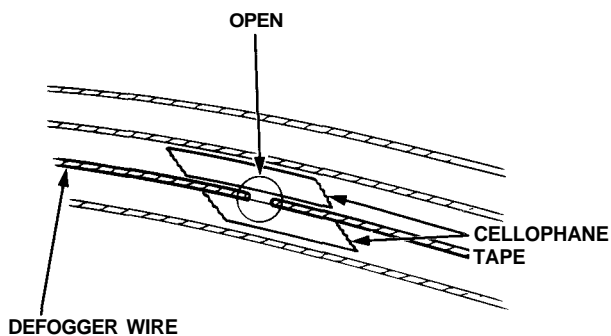


2. Disconnect the positive terminal, check for continuity between the negative terminal and body ground. If there is no continuity, check for an open in the defogger ground wire.
3. Reconnect the positive terminal, touch the voltmeter positive lead to the middle of each defogger wire, and the negative lead to the negative terminal. There should be approximately 6 V with the ignition switch and the defogger switch ON.
 - If the voltage is as specified, the defogger wire is OK.
 - If there is battery voltage, the defogger wire is broken on the negative side.
 - If there is no voltage, the defogger wire is broken on the positive side.

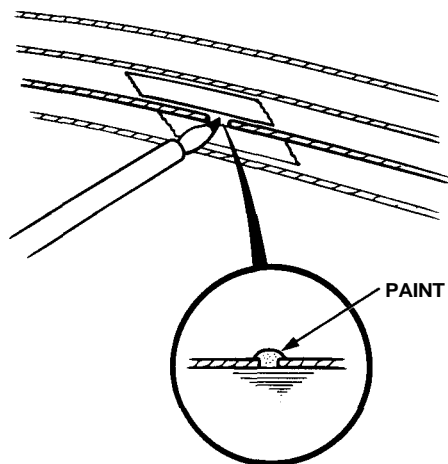
Defogger Wires Repair

To make an effective repair, the broken section must be no longer than one inch.

1. Lightly scrub the area around the break with fine steel wool, then clean it with alcohol.
2. Carefully mask above and below the broken section with cellophane tape.



3. Using a small brush, apply a heavy coat of silver conductive paint extending about 1/8" on both sides of the break. Thoroughly mix the paint before use. Let it dry for thirty minutes.



4. Check for proper operation with a voltmeter (it should read half of battery voltage at the midpoint).
5. Apply a second coat of paint in the same way. Let it dry for three hours before removing the tape.