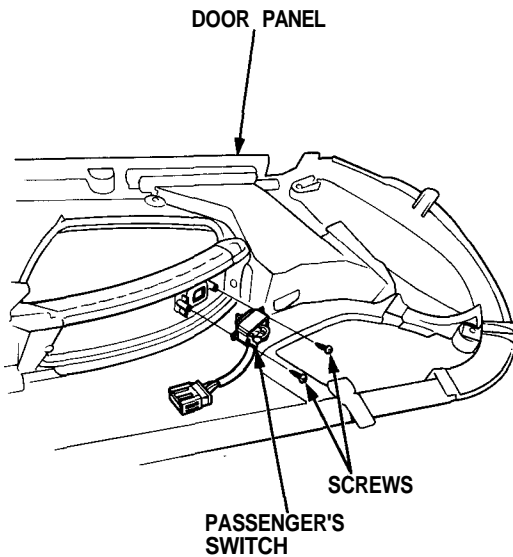




Passenger's Switch Replacement

1. Remove the door panel (see [section 20](#)).
2. Remove the two screws, then remove the passenger's switch from the door panel.

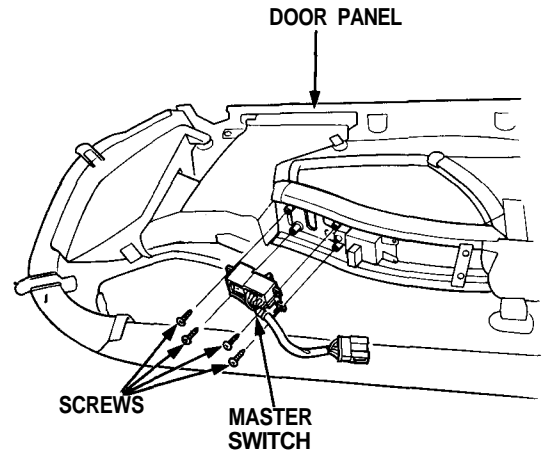


3. Install in the reverse order of removal.

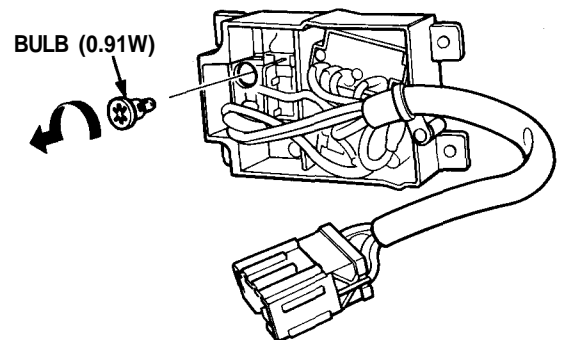
Switch Light Bulb Replacement

1. Remove the door panel (see [section 20](#)).
2. Remove the four screws, then remove the power window switch from the door panel.

NOTE: Driver's door is shown. Passenger's door is similar.



3. Remove the power window switch bulb.



4. Install in the reverse order of removal.