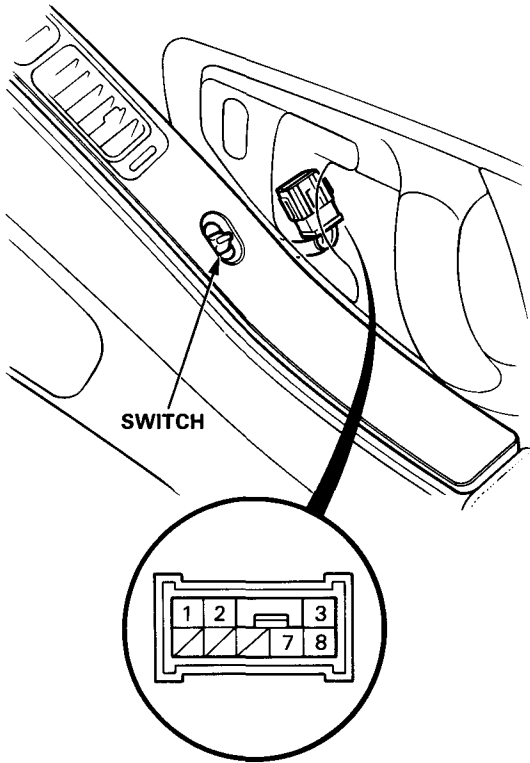


Power Windows

Passenger's Switch Test

1. Remove the door panel (see [section 20](#)).
2. Disconnect the 8-P connector.



View from wire side

3. Check for continuity between the terminals in each switch position according to the table.

Terminal Position	3	8	1	2	7
UP	○	○			
OFF			○	○	○
DOWN	○				○

Master Switch Replacement

1. Remove the door panel (see [section 20](#)).
2. Remove the four screws, then remove the power window master switch from the door panel.

