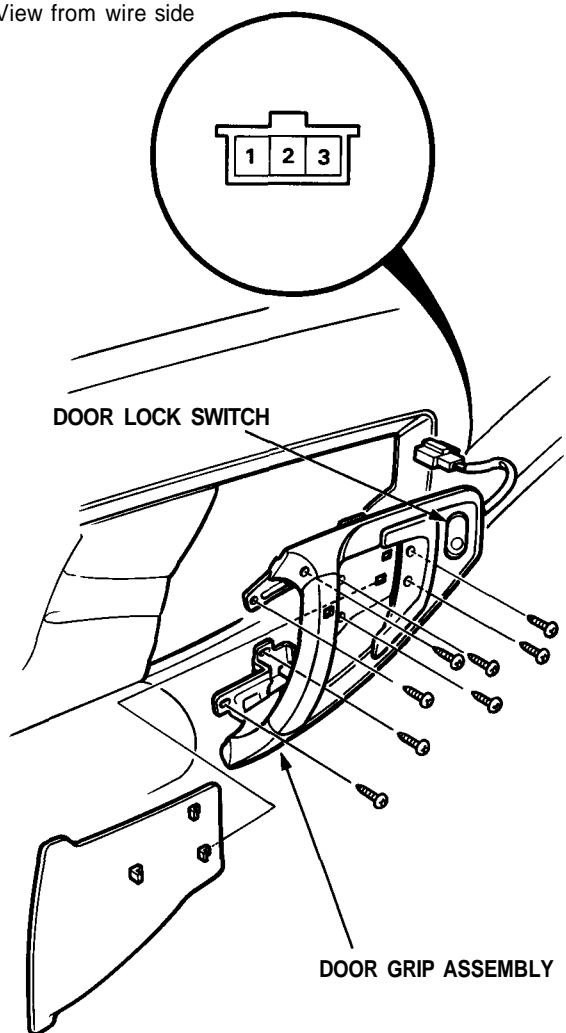


Power Door Locks

Door Lock Switch Test

1. Remove the door grip assembly.
2. Disconnect the 3-P connector from the switch.
3. Check for continuity between the terminals, in each switch position, according to the table.

View from wire side



Terminal	1	2	3
Position			
LOCK		○	○
OFF			
UNLOCK	○	○	