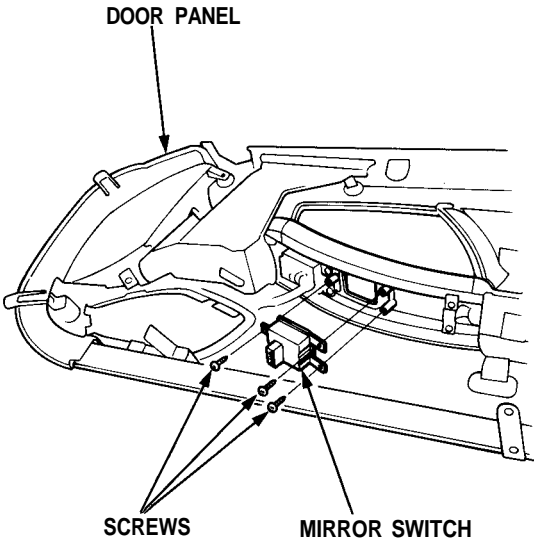


# Power Mirrors

## Switch Removal

1. Remove the left door panel, then disconnect all connectors from the door panel (see [section 20](#)).
2. Remove the three screws, then remove the mirror switch from the armrest.



## Switch Test

1. Remove the power mirror switch from the armrest.
2. Check for continuity between the terminals in each switch position according to the table.

Mirror Switch

Terminal		3	4	5	6	7	9	10	2	8
Position										
RIGHT	OFF	○		○	○			○		
	UP			○			○			
	DOWN	○			○		○			
	LEFT			○	○		○			
	RIGHT	○					○			
LEFT	OFF		○	○		○	○	○		○
	UP			○			○			
	DOWN		○			○	○			
	LEFT			○		○	○			
	RIGHT		○				○			

