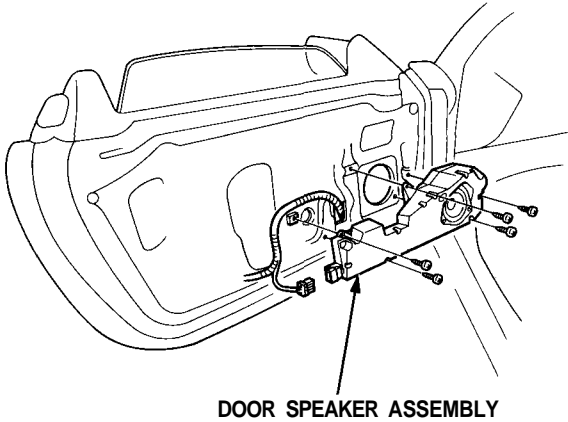




## Front/Rear Speaker Replacement

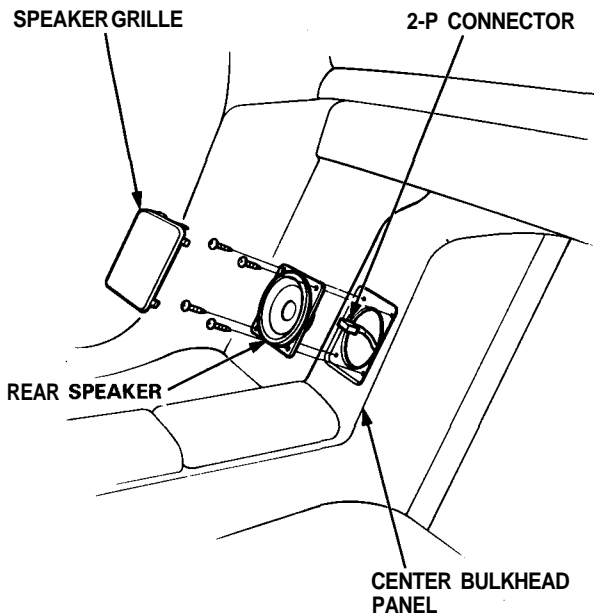
### Front speaker:

1. Remove the door panel (see [section 20](#)).
2. Remove the door speaker assembly from the door panel by removing the five screws.



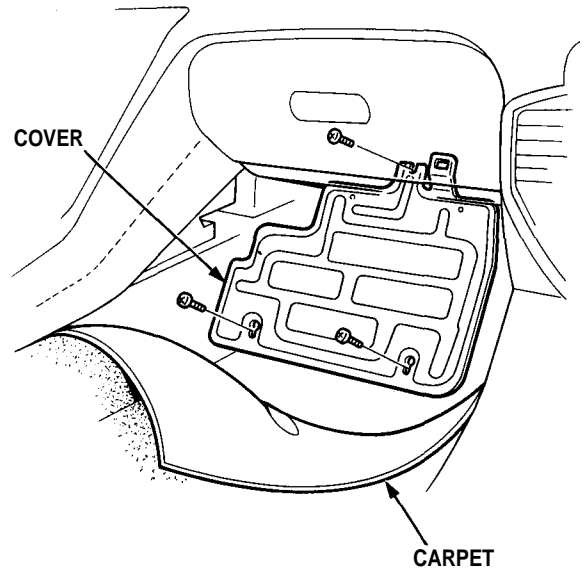
### Rear speaker:

1. Remove the speaker grille.
2. Remove the four screws, then disconnect the 2-P connector from the speaker.



## Foot Well Bass Speaker Replacement

1. Pull back the carpet on the passenger's side.
2. Remove the foot well bass speaker cover.



3. Disconnect the 2-P and 6-P connectors, then remove the two bolts, and remove the foot well bass speaker assembly.

