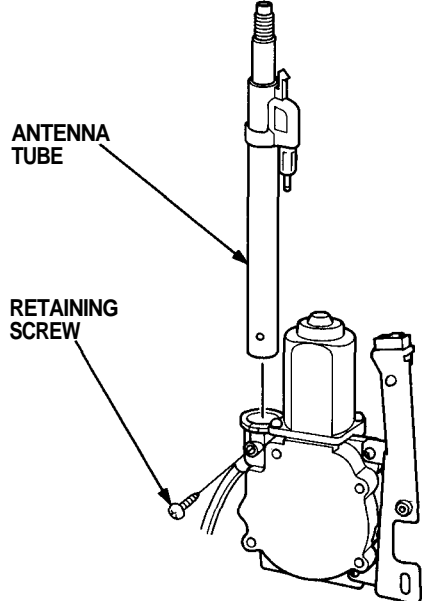


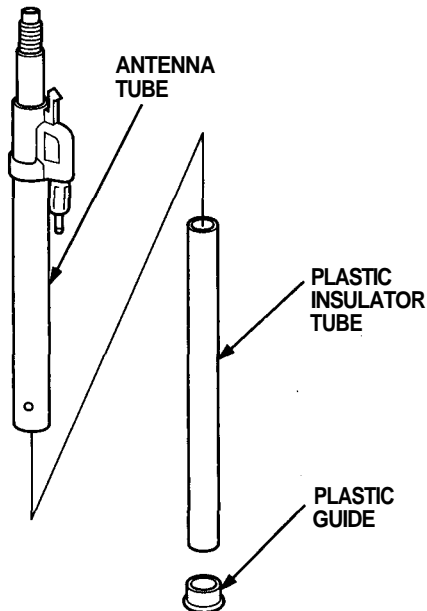
Stereo Sound System

Antenna Tube Replacement

1. Remove the antenna mast (see page 23-242).
2. Remove the power antenna motor (see page 23-242).
3. Remove the retaining screw, and pull the antenna tube out of its socket in the drive housing.



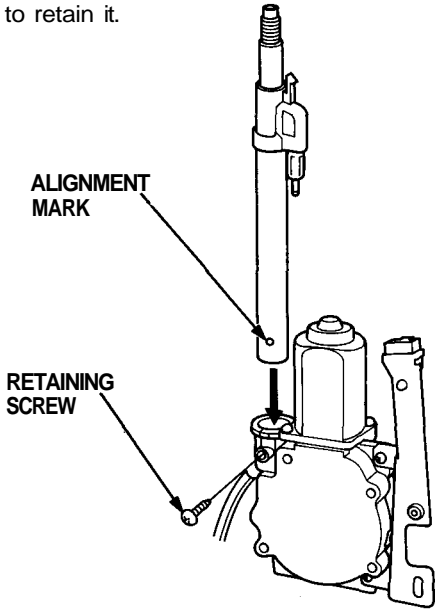
4. Remove the plastic guide and plastic insulator tube, and install them in the new antenna tube.



5. Insert the new antenna tube.

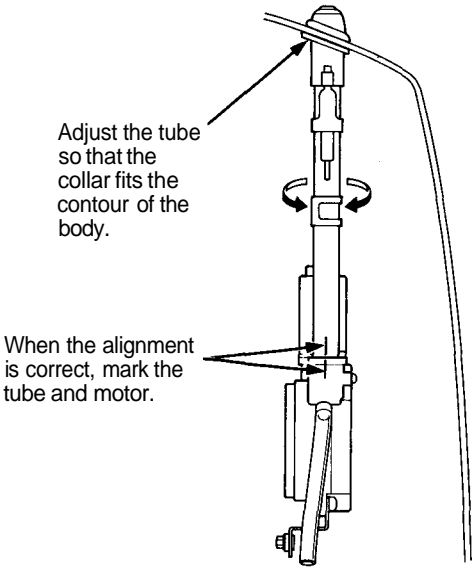
With an alignment mark:

- Insert the new antenna tube in its socket, and align the mark on the tube with the screw used to retain it.



Without an alignment mark:

- Insert only the tube, and install the tube/motor assembly in the car.
- Adjust the tube so that the collar fits properly against the body, and mark the tube and motor.
- Remove the tube/motor assembly again.
- Align the mark on the tube with the mark on the motor, and tighten the clamping screw.



6. Install the power antenna motor (see page 23-242).
7. Insert the mast into the tube (see page 23-242).