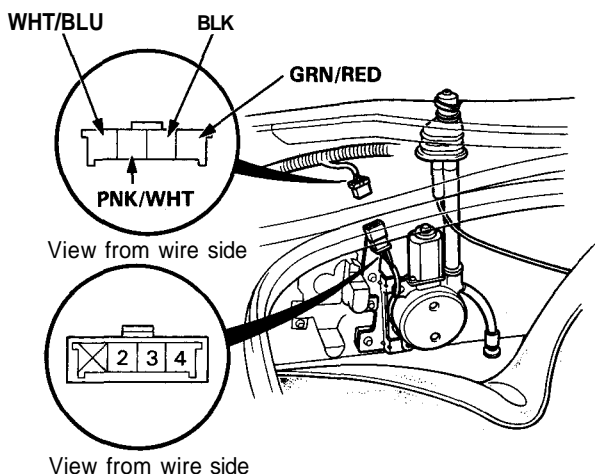


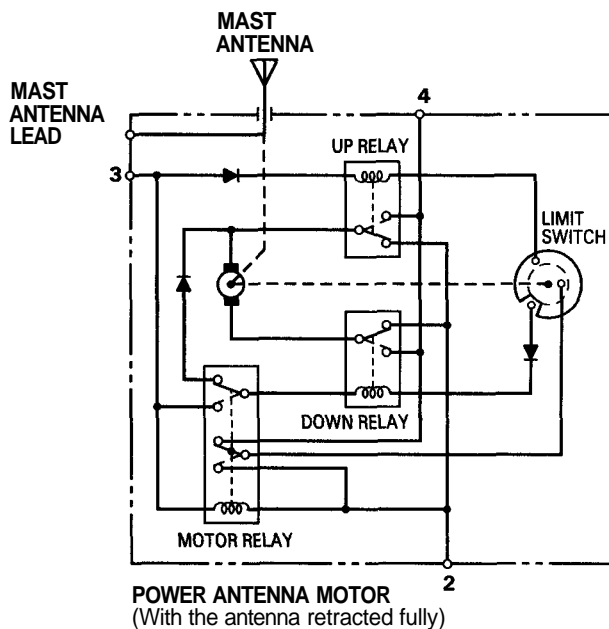


Power Antenna Motor Test

1. Open the trunk lid and remove the side trim panel.
2. Disconnect the 4-P connector from the motor and check power to the motor at the connector terminals:
 - There should be battery voltage between the WHT/BLU (+) and BLK (-) terminals all the time.
 - There should be battery voltage between the PNK/WHT (+) and BLK (-) terminals only with the ignition and radio switched ON.



4. If the motor fails to operate properly, replace it.



3. Test motor operation:

FULL EXTEND: Connect battery power to the No. 3 and No. 4 terminals and ground to the No. 2 terminal.

RETRACT: Disconnect power from the No. 3 terminal.