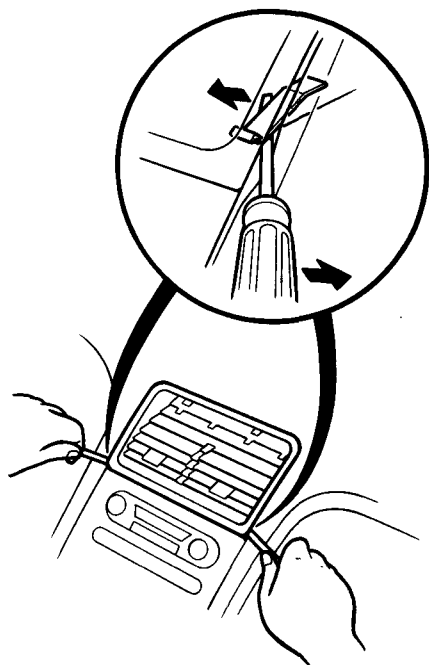


# Stereo Sound System

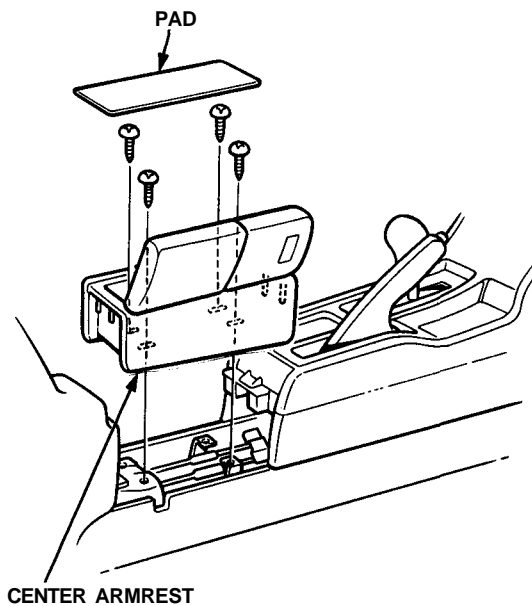
## Unit Removal

SRS components are located in this area. Review the SRS component locations, precautions, and procedures in the SRS [section 24](#) before performing repairs or service.

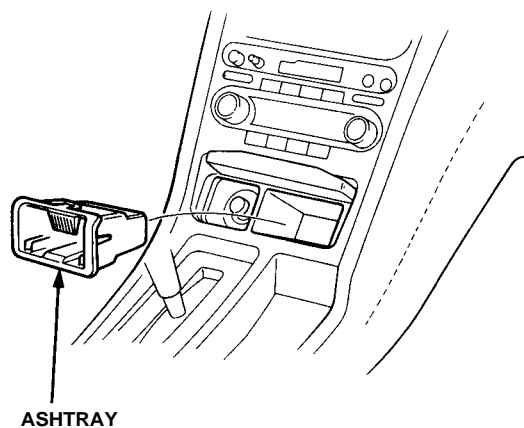
1. Remove the clock (see page [23-231](#)).
2. Remove the two screws behind the clock, then remove the center air vent (see [section 20](#)).



3. Remove the four screws, then remove the center armrest.

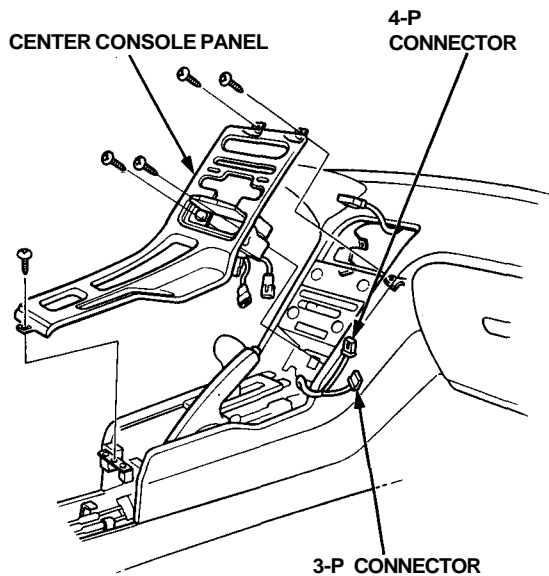


4. Take out the ashtray.

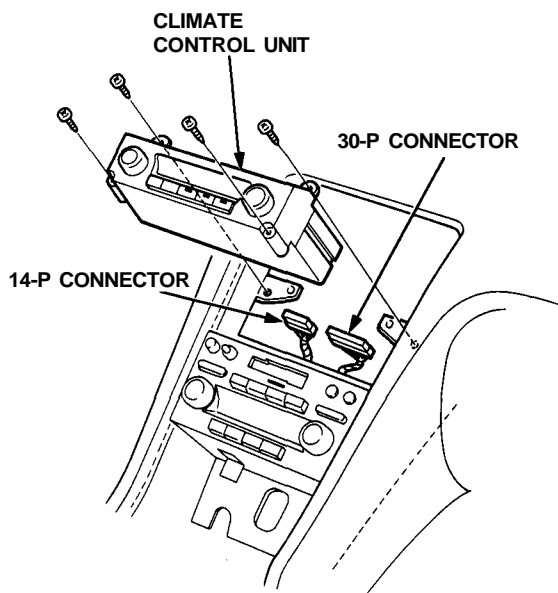




5. Remove the five screws and center console panel, then disconnect the 3-P connector and 4-P connector from the floor wire harness.



6. Remove the four screws, then disconnect the 14-P and 30-P connectors from the floor wire harness and take out the climate control unit.



7. Remove the four screws, then disconnect the 16-P connector, mast antenna lead, and window antenna lead and take out the stereo radio/cassette player.

