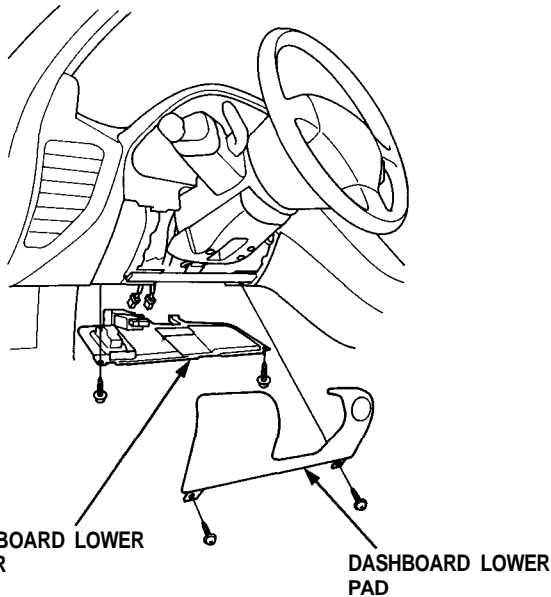


Side Marker/Turn Signal/Hazard Flasher System

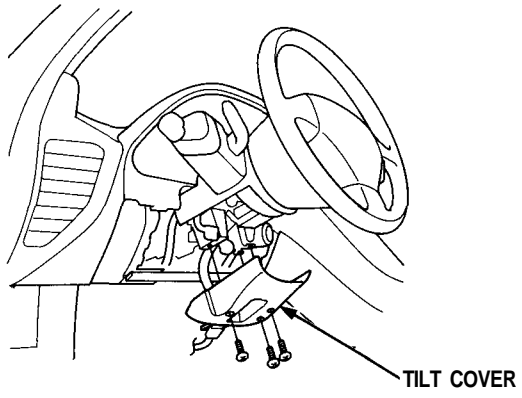
Hazard Warning Switch Replacement

SRS components are located in this area. Review the SRS component locations, precautions, and procedures in the SRS [section 24](#) before performing repairs or service.

1. Remove the dashboard lower cover, and disconnect the connectors.
2. Remove the dashboard lower pad.

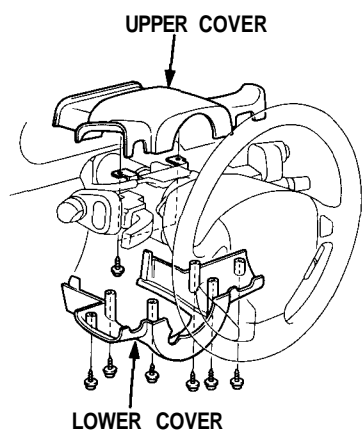


3. Remove the tilt cover.



4. Remove the steering column covers.

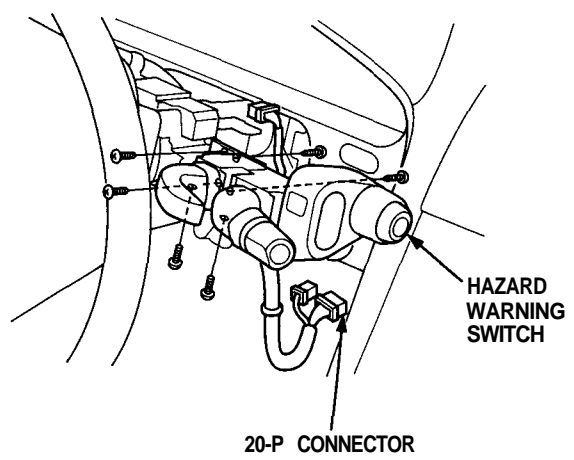
NOTE: Be careful not to damage the steering column covers.



5. Disconnect the 20-P, 4-P, and 5-P connectors.

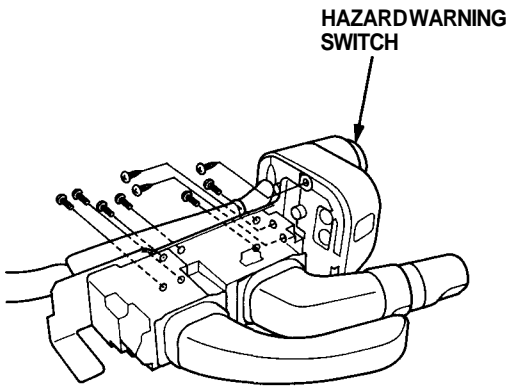
CAUTION: Be careful not to damage the SRS wire harness.

6. Remove the six screws, then remove the hazard warning-wiper switch assembly.





7. Remove the screws, then separate the hazard warning switch from the other switches.



8. If necessary, remove the hazard warning switch bulb.

