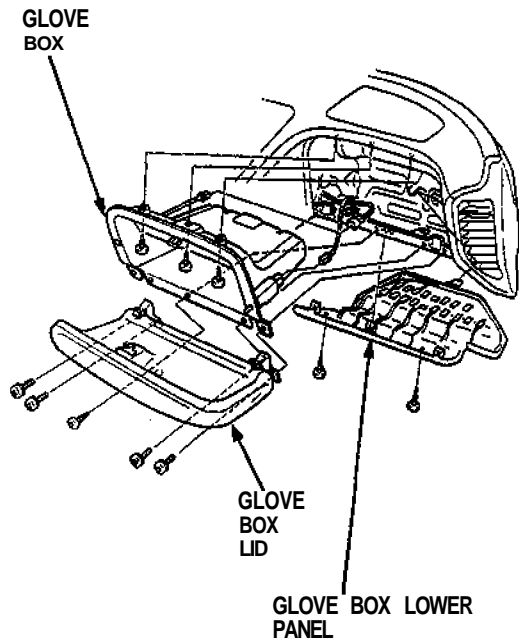


Glove Box Light Replacement/Test

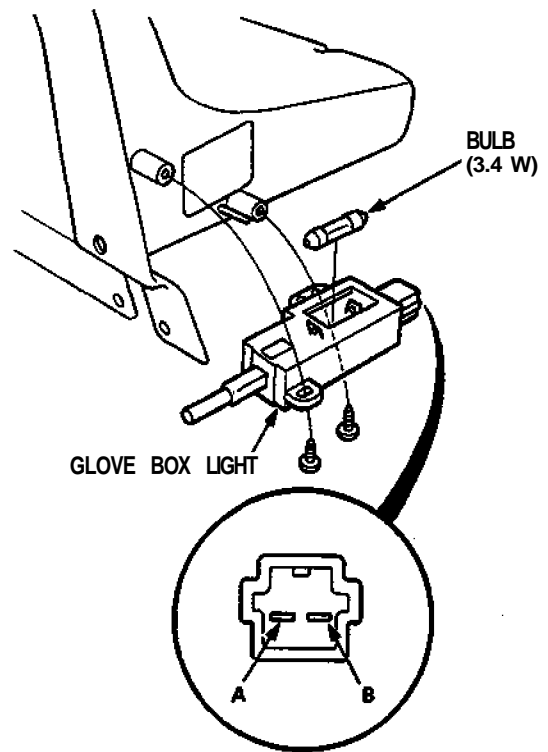
1. Remove the glove box lower panel.



2. Remove the eight screws, then pull out the glove box.

3. Disconnect the 2-P connectors, then remove the glove box.

4. Remove the two screws from the glove box light.



5. Check for continuity between the A terminal and B terminal with a bulb installed. There should be continuity. There should be no continuity when the switch plunger is pushed.

