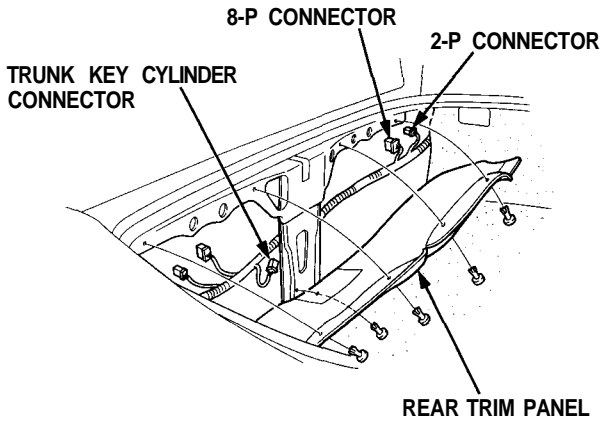


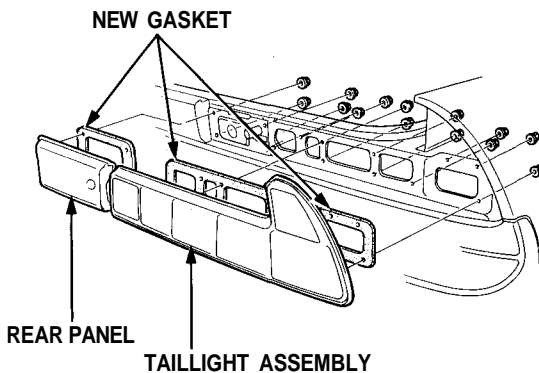
# Taillights

## Replacement

1. Open the trunk lid, and remove the rear trim panel.
2. Disconnect the 8-P connector and 2-P connector from the taillight assembly.
3. Disconnect the 2-P connector from the trunk key cylinder switch.



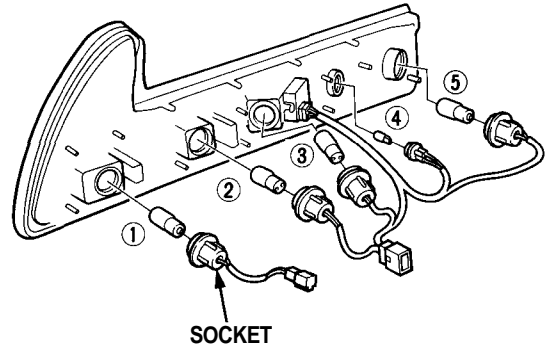
4. Remove the four mounting nuts and rear panel, then remove the ten mounting nuts and the taillight assembly.



5. Inspect the gasket; if it is distorted or stays compressed, replace it.
6. After installing, run water over the lights to make sure they don't leak.

## Bulb Replacement

1. Open the trunk lid, and remove the rear trim panel.
2. Turn each socket 45° counterclockwise to remove them from the taillight housing.



- ①: TURN SIGNAL LIGHT BULB (45CP)
- ② and ③: BRAKE LIGHT/TAILLIGHT BULBS (32CP/2CP)
- ④: TAILLIGHT BULB (2CP)
- ⑤: BACK-UP LIGHT BULB (32CP)

3. Remove the bulbs from the sockets.