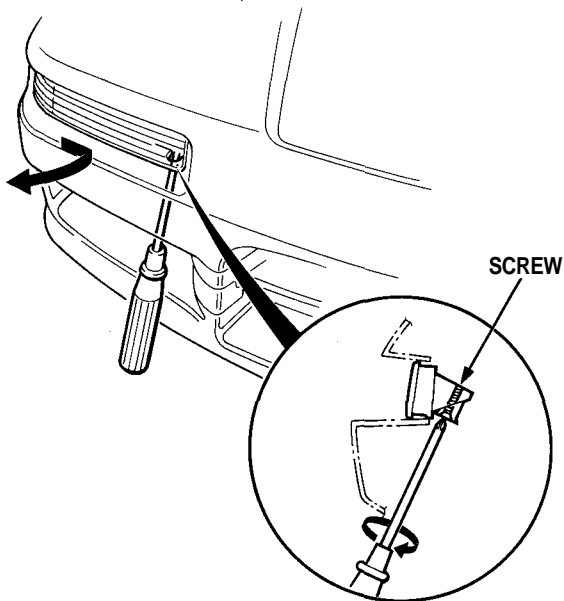


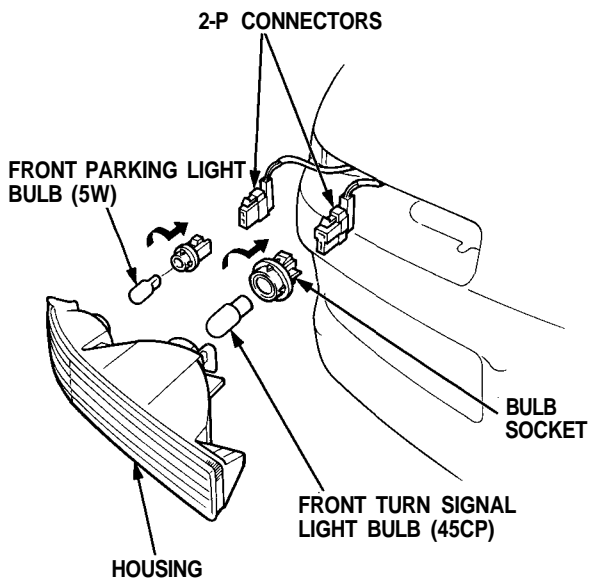
# Front Turn Signal/Front Parking Lights

## Replacement

1. Remove the screw and pull the light assembly out of the front bumper.



2. Disconnect the 2-P connectors from the bulb sockets.



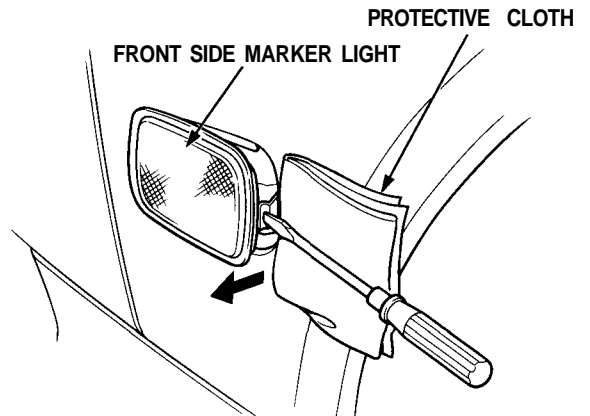
3. Turn the bulb sockets 45° counterclockwise to remove them from the housing.

# Front Side Marker Lights

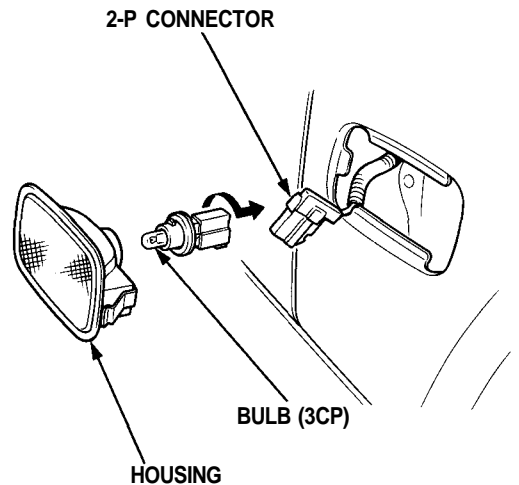


## Replacement

1. Carefully pry the front side marker light out of the front fender. Be careful not to damage the front side marker light or the front fender.



2. Disconnect the 2-P connector from the front side marker light.



3. Turn the bulb socket 45° counterclockwise to remove it from the housing.