

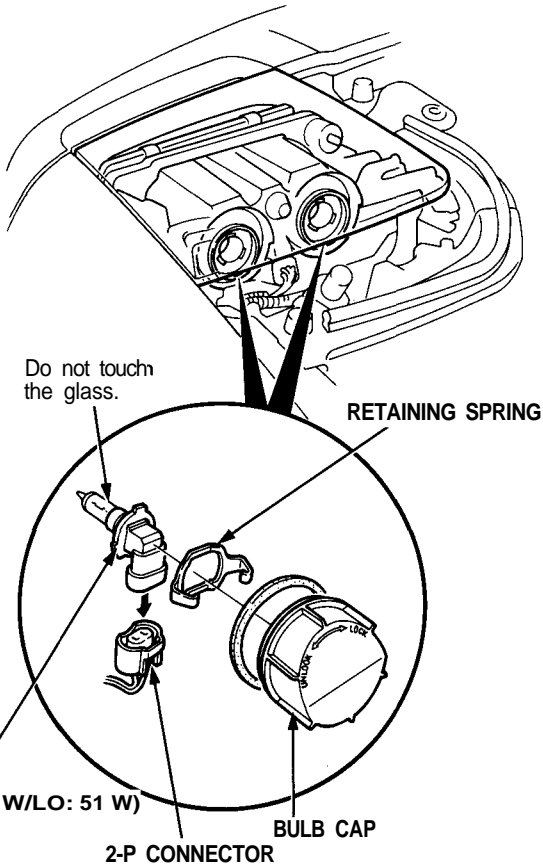
Headlights

Bulb Replacement

CAUTION:

- Halogen headlights can become very hot in use; do not touch them or the attaching hardware immediately after they have been turned off.
- Do not try to replace or clean the headlights with the lights on.

1. Remove the bulb cap.

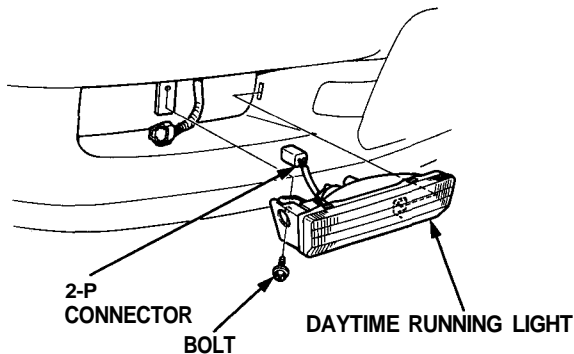


2. Disconnect the 2-P connector, then remove the retaining spring and bulb.

Daytime Running Lights (Canada)

Replacement

1. Remove the bolt, and pull out the daytime running light, then disconnect the 2-P connector.



2. If necessary, replace the bulb.

