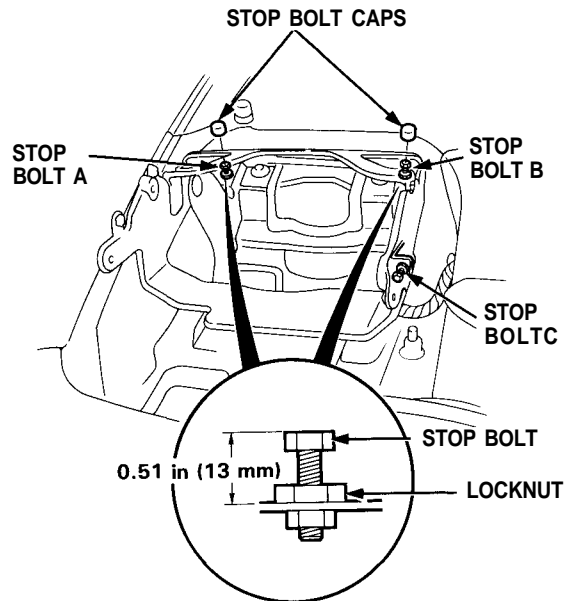


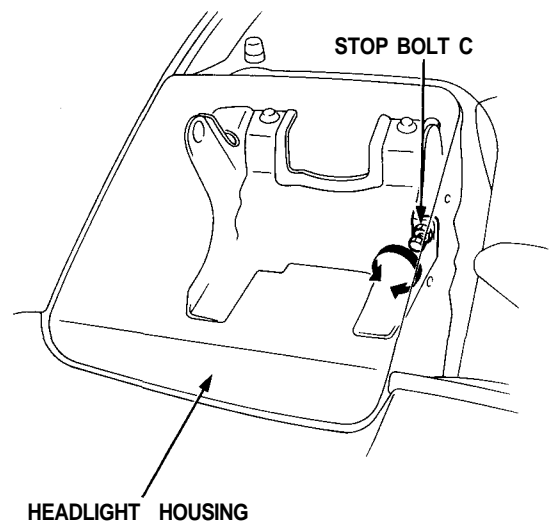


## Headlight Housing Adjustment

1. Remove the stop bolt caps.
2. Adjust stop bolts A and B.



3. Adjust stop bolt C in or out until the headlight housing fits flush with the front fender when the headlight is down.



(cont'd)

# Lighting System

## Headlight Housing Adjustment (cont'd)

4. Adjust the retractor motor toward front or rear until the headlight housing fits flush with the front fender when the headlight is down.

NOTE: Be careful not to damage the headlight housing.

