



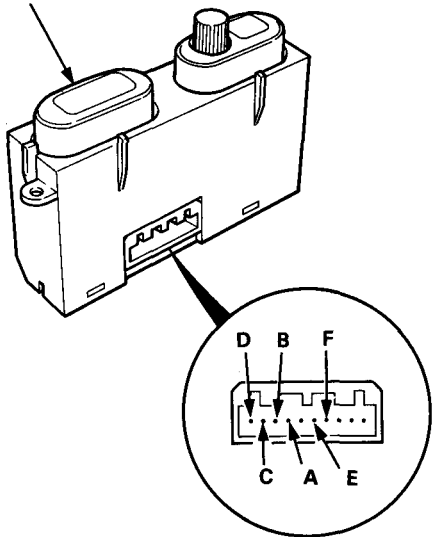
Retractor Switch Test

1. Remove the retractor switch (see previous page).
2. Check for continuity between the terminals in each switch position according to the table.

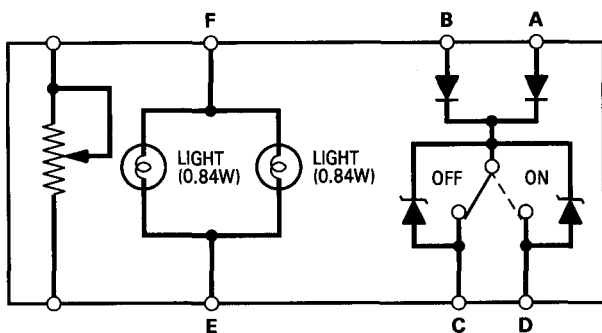
Retractor Switch

Terminal	A	B	C	D
Position				
OFF	○	○	○	○
ON	○	○	○	○

RETRACTOR SWITCH



Retractor Switch



Retractor Switch Light Bulb Replacement

1. Remove the retractor switch (see previous page).
2. Turn the bulb 45° counterclockwise to remove it.

