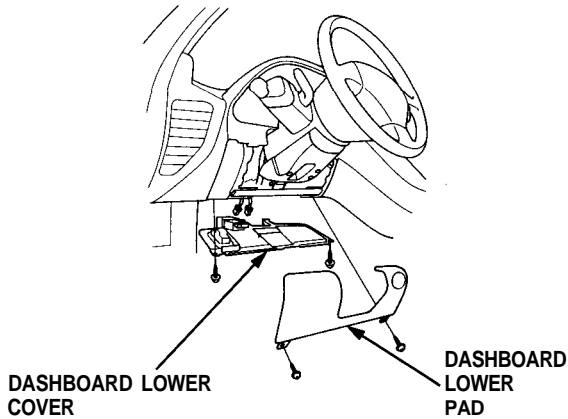


Lighting System

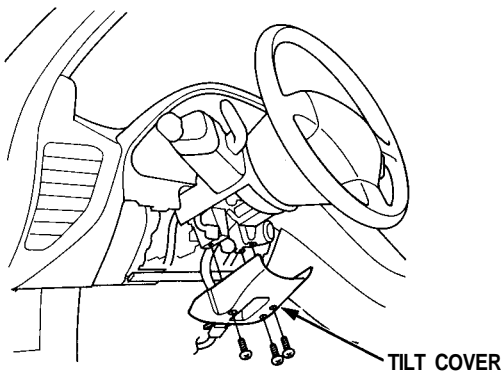
Retractor Switch Removal

SRS components are located in this area. Review the SRS component locations, precautions, and procedures in the SRS [section 24](#) before performing repairs or service.

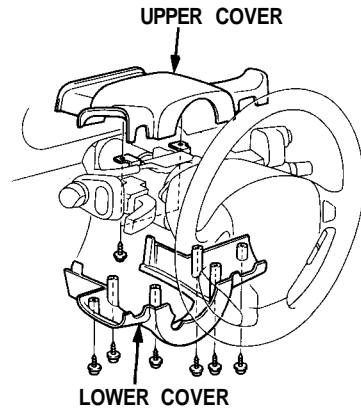
1. Remove the dashboard lower cover, and disconnect the connectors.
2. Remove the dashboard lower pad.



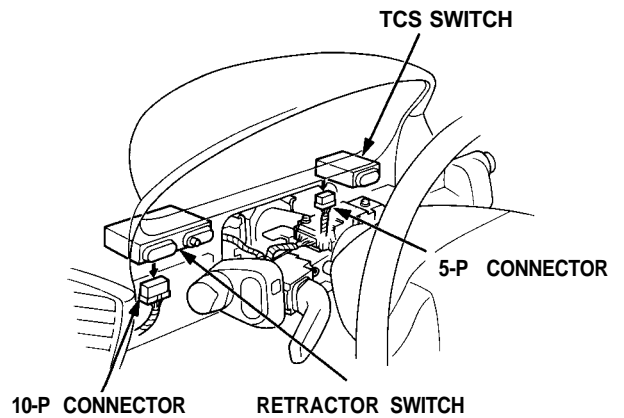
3. Remove the tilt cover.



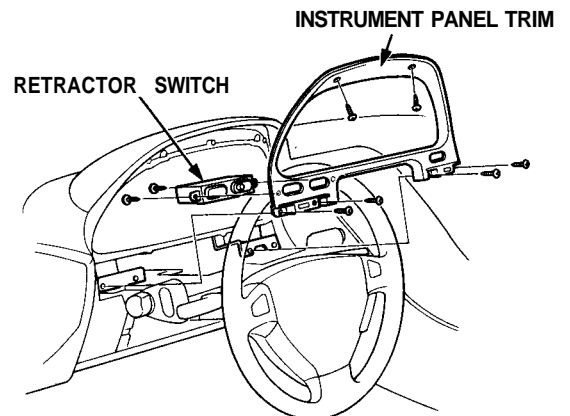
4. Remove the steering column covers.



5. Disconnect the 5-P and 10-P connectors from each switch.



6. Remove the six screws, then remove the instrument panel trim from the dashboard.



7. Remove two screws, then remove the retractor switch from the instrument panel trim.