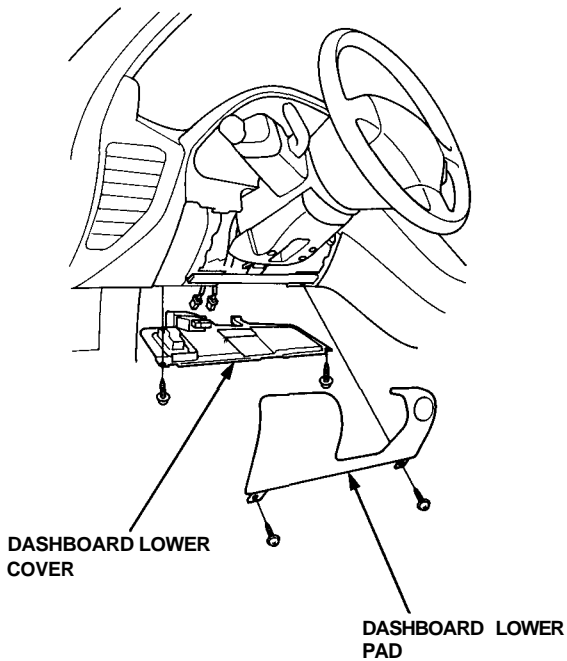


Lighting System

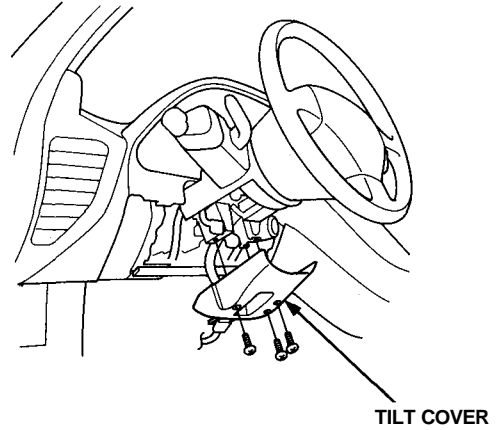
Headlight/Turn Signal Switch Replacement

SRS components are located in this area. Review the SRS component locations, precautions, and procedures in the SRS [section 24](#) before performing repairs or service.

1. Remove the dashboard lower cover, and disconnect the connectors.
2. Remove the dashboard lower pad.

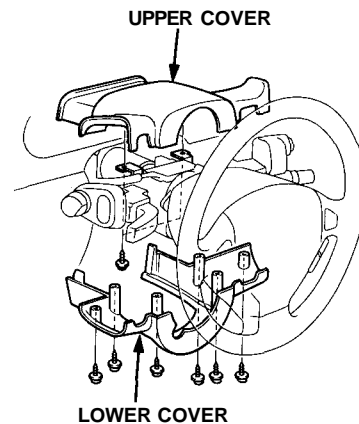


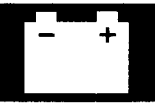
3. Remove the tilt cover.



4. Remove the steering column covers.

NOTE: Be careful not to damage the steering column covers.

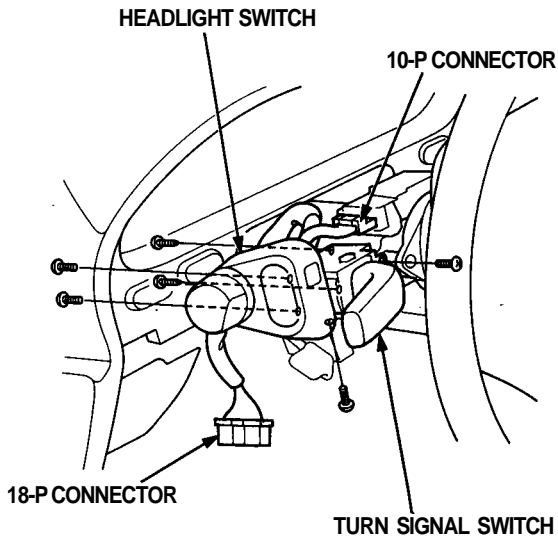




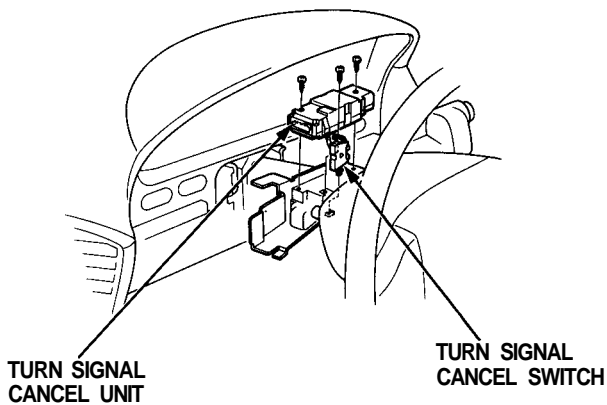
5. Disconnect the 18-P and 10-P connectors.

CAUTION: Be careful not to damage the SRS wire harness.

6. Remove the six screws, then remove the headlight-turn signal switch assembly.



7. If necessary, remove the turn signal cancel unit and cancel switch.



8. If necessary, remove the headlight switch bulb.

