

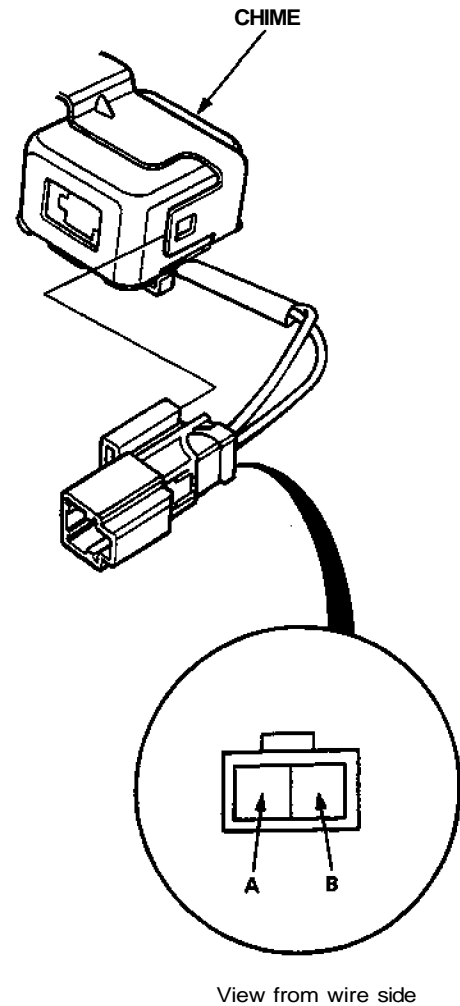
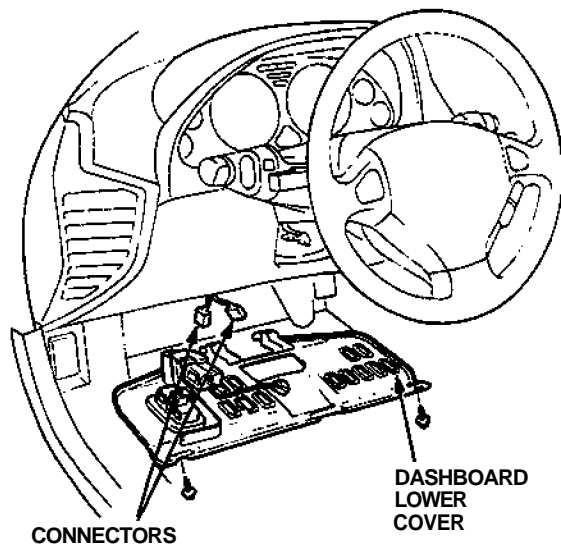
Lights-on Reminder System.

Chime Test

NOTE: Refer to page 23-158 ('93-'96) ('91-'92) for a diagram of the lights-on reminder circuit, and page 23-166 for the input test of the circuit.

When the ignition key is turned off and removed with the lights on, voltage is applied to the reminder circuit in the integrated control unit. When you open the driver's door, the circuit senses ground through the closed door switch. With voltage at the "A6" terminal, ground at the "GRN/BLU²" terminal, and no voltage at the "A5" terminal, the chime sounds to remind the driver to turn off the lights.

1. Remove the dashboard lower cover, and disconnect the connectors.



2. Test the chime by connecting battery power to the "B" terminal, and ground to the "A" terminal, and cycling the power on-off repeatedly.
3. If the chime fails to sound every time power is cycled, replace it.