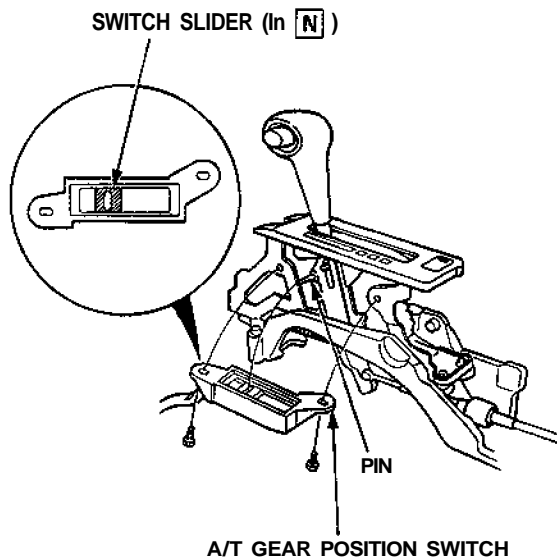




## A/T Gear Position Switch Replacement

SRS components are located in this area. Review the SRS component locations, precautions, and procedures in the SRS [section \(24\)](#) before performing repairs or service.

1. Remove the console, then disconnect the 12-P and 2-P connectors from the A/T gear position switch.

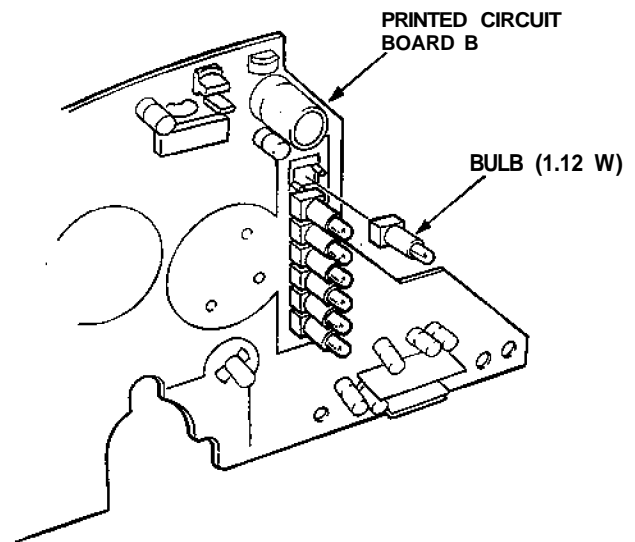


2. Remove the two position switch mounting bolts.
3. Position the slider on the new switch to **N** as shown above.
4. Shift the shift lever to **N**, then slip the switch into position,
5. Attach the switch with the two bolts.
6. Test the switch in the **P** and **N** positions. You should be able to start the engine with the shift lever in position **N** anywhere in the range of free play.
7. Connect the 12-P and 2-P connectors, clamp the harness, and install the console.

## Bulb Replacement

SRS components are located in this area. Review the SRS component locations, precautions, and procedures in the SRS [section \(24\)](#) before performing repairs or service.

1. Remove the gauge assembly (see page [23-126](#)).
2. Disassemble the gauge assembly (see page [23-129](#) ('93-'96) ('91-'92)).
3. Remove the bulb from printed circuit board B.



4. Install the indicator in the reverse order of removal.