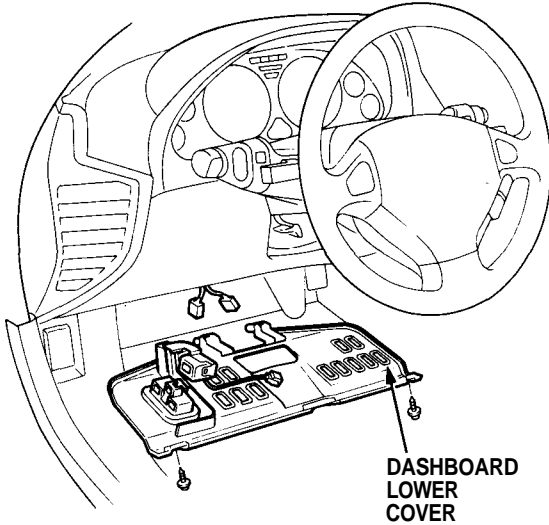


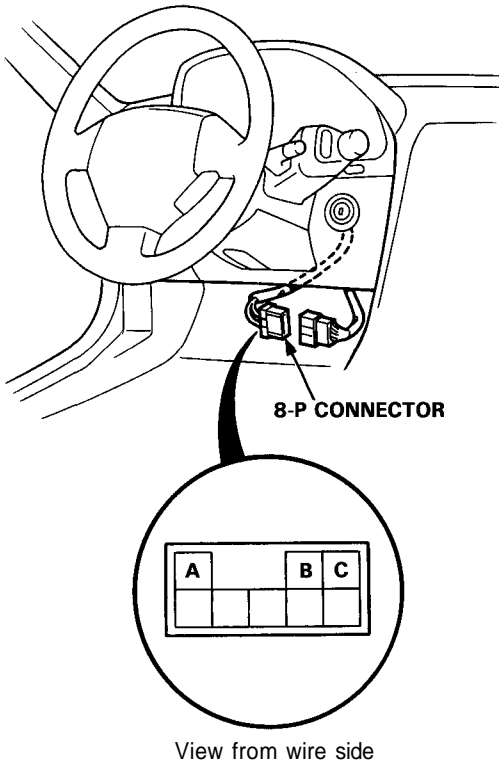


Key Interlock Solenoid Test

1. Remove the dashboard lower cover, and disconnect the floor wire harness connectors.



2. Disconnect the 8-P connector from the floor wire harness.



3. Check for continuity between the terminals in each switch position according to the table.

		Terminal		
Position		A	B	C
Ignition switch ACC (I)	Key pushed in	○	○	○
	Key released	○	○	

4. Check that the key cannot be removed with power and ground connected to the C and B terminals.
 - If the key cannot be removed, the key interlock solenoid is OK.
 - If the key can be removed, replace the steering lock assembly (key interlock solenoid is not available separately).