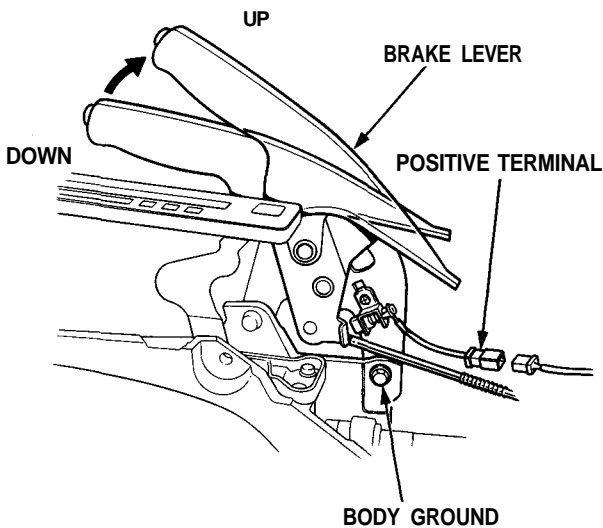


# Brake Warning System

## Parking Brake Switch Test

1. Remove the center console, and disconnect the connector from the switch.
2. Check continuity between the positive terminal and body ground with the brake lever up and down.
  - There should be no continuity with the brake lever down.
  - There should be continuity with the brake lever up.

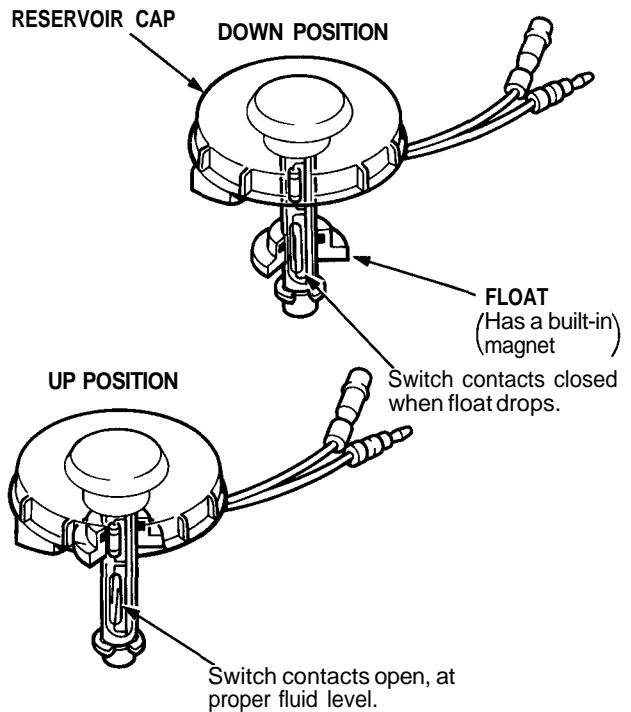


NOTE: (Canada)

If the parking brake switch is OK, but the brake warning system does not work, make the input test for the daytime running lights control unit (see page 23-180).

## Brake Fluid Level Switch Test

1. Remove the reservoir cap. Check that the float moves up and down freely; if it doesn't, replace the reservoir cap assembly.



2. Check for continuity between the terminals with the float up and down. There should be continuity with the float down and no continuity with the float up; if continuity is incorrect, replace the reservoir cap assembly.